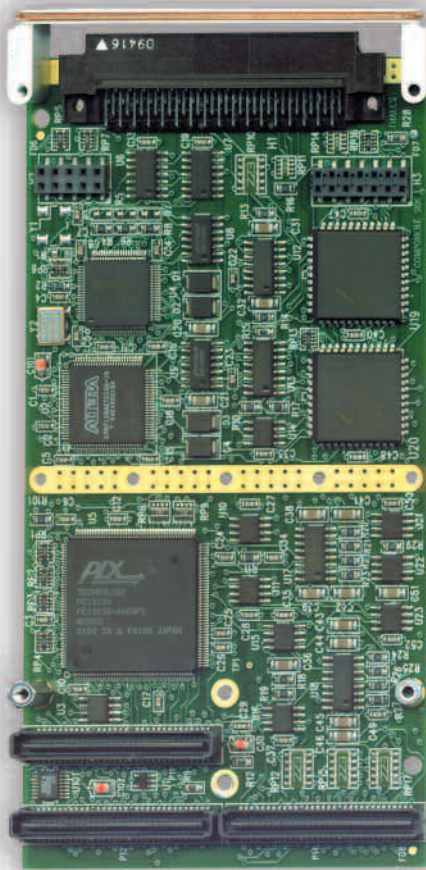




PMC-SIO Octal Serial I/O Adapter PCI Mezzanine Card (PMC)



- > Two “Full-Featured” ESCC Ports
 - Full modem synchronous, isochronous, and asynchronous supporting EIA-422/485 or
 - Synchronous and asynchronous supporting EIA-232
- > Two “Multi-PHY” ESCC Ports
 - Synchronous and asynchronous supporting EIA-422/485 or
 - Synchronous and asynchronous supporting EIA-232
- > Four Asynchronous Ports
 - Asynchronous serial I/O supporting EIA-232
- > 3.3V Signaling, 5V Tolerant PCI bus
- > Support for VxWorks and LynxOS
- > Air- or Conduction-Cooled Versions

PMC-SIO Octal Serial I/O Adapter PCI Mezzanine Card (PMC)

Technical Features

The PMC-SIO complements Thales Computers' extensive choice of COTS and standard PMCs for VME or CompactPCI single board computers for use in commercial or harsh environments by offering eight serial I/O ports on a single PMC module.

The air-cooled versions of the PMC-SIO comply with IEEE P1386.1 PCI Mezzanine standard while the conduction-cooled version conforms to the VITA20 recommendation.

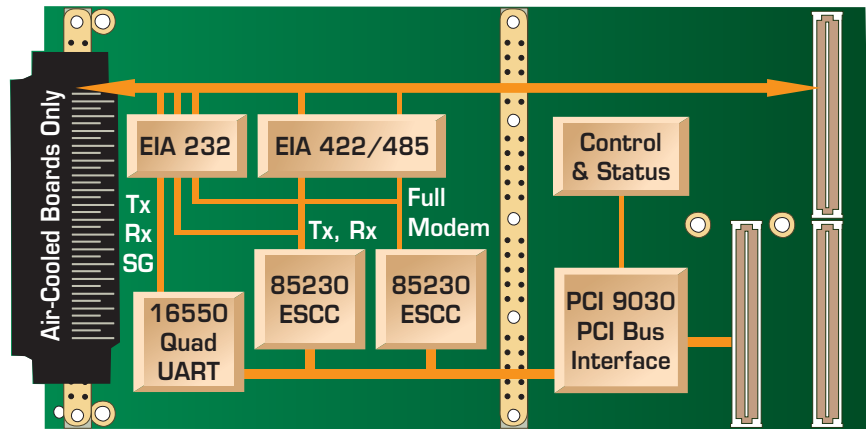
The two "full-featured" 85230 ESCC ports on the PMC-SIO are each equipped with an EIA-422/485 interface that supports synchronous, isochronous and asynchronous protocols TXD/RXD, RTS/CTS, DCD, RXC, TXC, and TC [TXC-out] at up to 3.6864 Mb/s; synchronous modems; and multidrop full and half duplex with RTS flow control. Each of the two "multi-PHY" 85230 ESCC ports on the PMC-SIO provides an EIA-422/485 interface that supports synchronous and asynchronous protocols (TXD/RXD) at up to 3.6864 Mb/s; and multidrop full and half duplex with RTS flow control.

All the ESCC ports also support asynchronous protocol using 3-wire EIA-232.

The quad 16550-type UART ports support asynchronous protocols (TXD/RXD and SG) using EIA-232 interface.

Front panel I/O on the air-cooled versions of the PMC-SIO are available on a 68-pin connector.

For quick development purposes, a connector board is available that routes the four EIA-422/SA ports to 25-pin D-shell connectors and the eight EIA-232 ports to 9-pin D-shell connectors.



General Architecture of the PMC-SIO

Overall Dimensions	
Single PMC	149 x 74 mm - One slot (FP version)
PCI bus Interface	
	32-bit - 33 MHz Revision 2.2 compliant PCI9030 Target PCI controller from PLX 3.3V signaling, 5V tolerant
Usable Throughput	
	Depends on the host SBC card and operating system. Please contact Thales Computers for further details.
Power Requirements	
	+5V, ±5% +12V, ±5% -12V, ±5%
Power Dissipation	
	Typical: 4.8 Watts

Environmental Specifications				
	SA	RA	RC	
Temperature range	Airflow	1.2 m/s	1.8 m/s	NA
	Operating	0° to +55°C	-40° to +75°C	-40° to +85°C
	Storage	-45° to +85°C	-45° to +100°C	-45° to +100°C
Conformal Coating	Optional	Standard	Standard	
Relative Humidity	90% noncondensing	95% noncondensing	10 cycles 240 hours	
Mechanical	Vibration Sine	5-200 Hz - 2g Peak	5-2000 Hz - 2.5g Peak	5-2000 Hz - 5g Peak
	Vibration Random	0.01 g ² /Hz 10-40 Hz	0.04 g ² /Hz	0.1 g ² /Hz
	Shock	10g Peak 16 ms Half Sine Pulse	with a flat response to 1,000 Hz 6 dB/Oct roll-off from 1 KHz-2 KHz	
	Bumps		40g Peak 20 ms Half Sine Pulse	
	Altitude		40g Peak 6 ms Half Sine Pulse 3 bumps/sec and 1,000 bumps/direction	
	-1,000 to 15,000 ft	-1,000 to 33,000 ft	-1,000 to 50,000 ft	

ORDER CODE	SA	RA	RC	Environment Class	Conformal coating
PMC-SIO- <input type="text"/> 000 <input type="text"/>	X			Standard (Air)	X
		X		Rugged Convection-Cooled (Air)	Default
			X	Rugged Conduction-Cooled	Default
					Default
					V

Add code V only when not default.

Connector Board: CB-SIO-000



With AF AQ ISO 9001 2000 Version Certification, Thales Computers guarantees Total Customer Satisfaction.

THALES COMPUTERS

Corporate Headquarters: 150 rue Marcellin Berthelot - ZI Toulon-Est - BP 244 - 83078 Toulon Cedex 9 - France

Tel.: +33 (0)4 98 16 34 00 - Fax: +33 (0)4 98 16 34 01

International Sales Department: 18 avenue du Maréchal Juin - 92362 Meudon-la-Forêt Cedex - France - Tel.: +33 (0)1 39 45 59 76 - Fax: +33 (0)1 39 45 58 58

USA Headquarters: 3920 Park Avenue - Edison, NJ 08820 - USA - Tel.: +1 (732) 494 1010 - Fax: +1 (732) 494 1421

United Kingdom: Scudamore Road - Leicester - LE3 1UA - United Kingdom - Tel.: +44 (0) 1162 870 621 - Fax: +44 (0) 1162 594 261