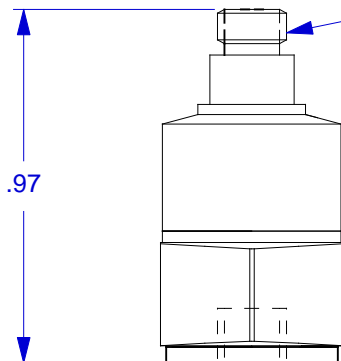
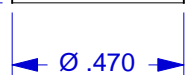


.500 HEX

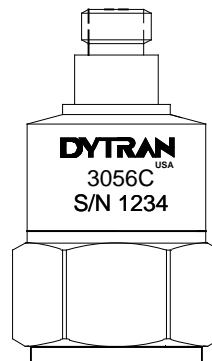


.97

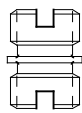


Ø .470

10-32 COAXIAL CONNECTOR

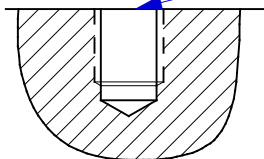


MODEL 6200 MOUNTING STUD, PROVIDED



10-32 THD., TYP

MOUNTING HOLE PREPARATION:
 SELECT SURFACE FLAT TO .001 TIR
 DRILL #21 (.159) DIA. X .250 DEEP
 BOTTOM TAP 10-32 UNF-2B X .200
 MIN. DEPTH PERF. THD.



		CHATSWORTH, CA.	
SCALE	2X	REV	DATE
DATE	1/15/03	PART NO.	3056C
DRAWN	R.A.	CHECKED	N.C.
APPROVED		NEXT ASSEMBLY	USED ON
TITLE		DWG NO.	
OUTLINE/INSTALLATION DRAWING, MODEL SERIES 3056C		127-3056C	
SHEET		1 OF 1	

1. CASE AND CONNECTOR MATERIAL: TITANIUM.



**SPECIFICATIONS
MODEL 3056C CHARGE MODE ACCELEROMETER**

SPECIFICATION	VALUE	UNITS
PHYSICAL		
WEIGHT	6	Grams
SIZE, HEX x HEIGHT	.50 x 0.97	Inches
MOUNTING PROVISION	10-32 X .150 DEEP TAPPED HOLE	
CONNECTOR, TOP MOUNTED	10-32	Coaxial
MATERIAL, BASE, CAP & CONNECTOR	TITANIUM	
SEISMIC ELEMENT TYPE	CERAMIC, PLANAR SHEAR	
PERFORMANCE		
SENSITIVITY, $\pm 5\%$ [1]	-15	pC/G
RANGE F.S.	± 500	G's
FREQUENCY RANGE, $\pm 5\%$	to 5000	Hz
RESONANT FREQUENCY, NOM.	32	kHz
LINEARITY [2]	± 1	% F.S.
TRANSVERSE SENSITIVITY, MAX.	5	%
ENVIRONMENTAL		
MAXIMUM VIBRATION/SHOCK	600/3000	\pm G's/G's PEAK
TEMPERATURE RANGE	-60 to +375	$^{\circ}$ F
SEAL, HERMETIC	Glass-to-metal and TIG welded	
COEFFICIENT OF THERMAL SENSITIVITY	.06	%/ $^{\circ}$ F
ELECTRICAL		
OUTPUT SIGNAL POLARITY FOR ACCELERATION TOWARD TOP		Negative
ELECTRICAL ISOLATION, CASE GROUND TO MOUNTING SURFACE		10 Megohms, min.
CAPACITANCE	975	pF

Accessories supplied: (1) Model 6200 mounting stud.

[1] Measured at 100 Hz, 1 G RMS per ISA RP 37.2.

[2] Measured using zero-based best straight line method, % of F.S. or any lesser range.