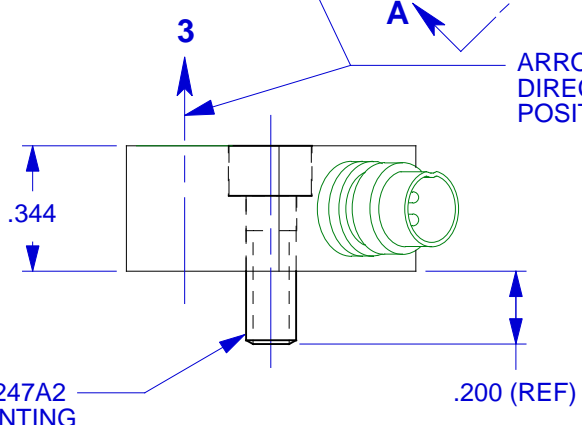


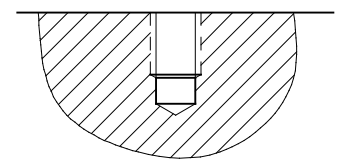
VIEW-A LOOKING INTO CONNECTOR WITH CABLE DISCONNECTED

- PINOUT**
- PIN#1 GND RETURN, COMMON
 - PIN #2 SIG/PWR AXIS 2 (Y)
 - PIN#3 SIG/PWR AXIS 3 (Z)
 - PIN #4 SIG/PWR AXIS 1 (X)



ARROWS INDICATE SENSE AND DIRECTION OF ACCELERATION FOR POSITIVE-GOING OUTPUT SIGNALS

MODEL 6247A2
6-32 MOUNTING
SCREW,
(SUPPLIED)



MOUNTING PORT PREPARATION: DRILL #36 (Ø .1065) X .270 DEEP TAP 6-32 UNC-2B X .22 DEEP, MIN.

4. WEIGHT: 14 GRAMS.
3. SIGNAL GROUND IS INSULATED FROM CASE GROUND.
2. ENVIRONMENTAL SEAL: HERMETIC.
1. HOUSING/CONNECTOR MATERIAL: TITANIUM.

EXCEPT AS OTHERWISE NOTED	
ALL DIMENSIONS IN INCHES TOLERANCE: .XXX = ± .XX = ± .01	
SURFACE FINISH EXCEPT AS NOTED ✓	
BREAK EDGES TO DEBURR RADIUS OR CHAMFER	
△ THESE DIAS ⊙ TO T.I.R.	
FILLETS -	MAX RAD.

		CHATSWORTH, CA.		
				SCALE 2X
DATE 7/24/02	PART NO. MODEL 3143D			
DRAWN N.C.	CHECKED R.A.	MAT'L		
APPROVED	NEXT ASSEMBLY		USED ON 3143D	
TITLE			DWG NO.	
OUTLINE/INSTALLATION DRAWING, MODEL 3143D, 10.0 mV/G			127-3143D	
			SHEET 1 OF 1	

SPECIFICATIONS
MODEL 3143D TRIAXIAL LIVM ACCELEROMETER

SPECIFICATION	VALUE	UNITS
PHYSICAL		
WEIGHT	14	Grams
SIZE, L X W X H	.82 x .82 x .34	Inches
MOUNTING PROVISION, THRU HOLE CONNECTOR, RADially MOUNTED	6-32 MOUNTING SCREW 4-PIN	
MATERIAL, HOUSING & CONNECTOR ELEMENT TYPE	TITANIUM SHEAR MODE	
PERFORMANCE		
SENSITIVITY, ± 5% [1]	10.0	mV/G
RANGE F.S. FOR ± 5 VOLTS OUTPUT	± 500	G's
FREQUENCY RANGE, ± 5%	0.5 to 3000	Hz
RESONANT FREQUENCY, NOM.	25	kHz
EQUIVALENT ELECTRICAL NOISE FLOOR	.0007	G's RMS
LINEARITY [2]	± 1%	% F.S.
TRANSVERSE SENSITIVITY, MAX.	5	%
STRAIN SENSITIVITY	.012	G's/μ @ 250 μ
ENVIRONMENTAL		
MAXIMUM VIBRATION/SHOCK	600/1500	± G's/G's PEAK
TEMPERATURE RANGE, OPERATING	-60 to +250	°F
TEMPERATURE RANGE, SURVIVAL	-100 TO +275	°F
SEAL, (WELDED, GLASS-TO-METAL CONNECTOR)	HERMETIC	
COEFFICIENT OF THERMAL SENSITIVITY	.03	%/°F
ELECTRICAL		
SUPPLY CURRENT RANGE [3]	2 to 20	mA
COMPLIANCE VOLTAGE RANGE	+18 to +30	VDC
OUTPUT IMPEDANCE, TYP.	100	Ohms
BIAS VOLTAGE, +10 VOLTS NOM.	+9 to +11	VDC
DISCHARGE TIME CONSTANT, NOM.	1	Sec
OUTPUT SIGNAL POLARITY FOR ACCELERATION TOWARD TOP		Positive
ELECTRICAL ISOLATION, CASE GROUND TO MOUNTING SURFACE		10 Megohms, min.

Accessories supplied: (1) Model 6247A1 mounting screw.

[1] Measured at 100 Hz, 1 G RMS per ISA RP 37.2.

[2] Measured using zero-based best straight line method, % of F.S. or any lesser range.

[3] Do not apply power to this device without current limiting, 20 mA MAX. To do so will destroy the integral IC amplifier.