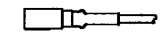
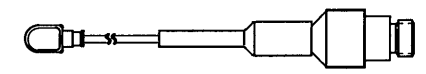
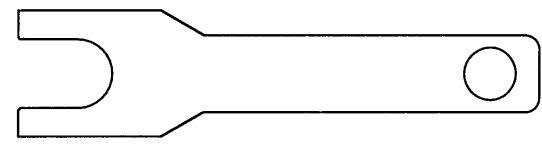
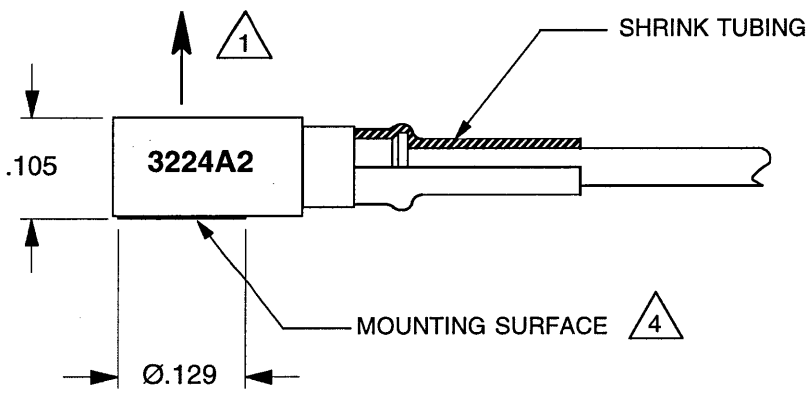
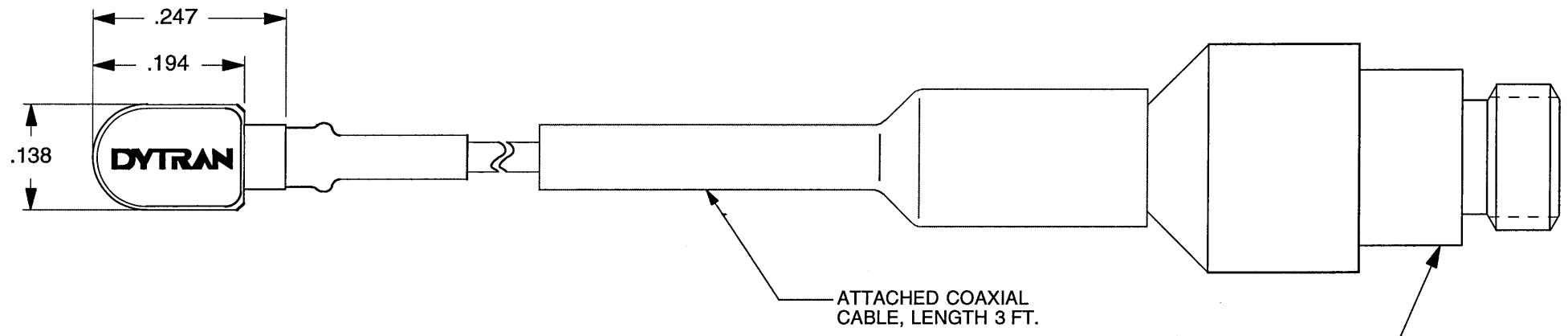


REV	ECN	DESCRIPTION	BY/DATE	CHK	APPR
A	5301	INITIAL RELEASE	NC/5-5-08	ces	<i>[Signature]</i>



- △ 4. APPLY ADHESIVE TO THIS SURFACE TO MOUNT.
- 3. CASE AND CONNECTOR MATERIAL: TITANIUM.
- 2. WEIGHT LESS CABLE: 0.2 GRAMS.
- △ 1. ARROW INDICATES SENSE AND DIRECTION OF INPUT ACCELERATION FOR POSITIVE GOING OUTPUT SIGNAL.

EXCEPT AS OTHERWISE NOTED, DIMENSIONS ARE IN INCHES

		<h1>MASTER</h1>		CHATSWORTH, CA.	
SCALE	DESIGN	DATE			
5X	N.C.	1/2/08			
DRAWN	DATE	PART NO.			
N.C.	1/2/08	MODEL 3224A2			
CHECKED	DATE	MAT'L			
ces	5-5-8		A		
APPROVED	DATE	NEXT ASSEMBLY	USED ON		
<i>[Signature]</i>	5-5-08				
TITLE			DWG NO.		
<h2>OUTLINE/INSTALLATION DRAWING, MODEL 3224A2</h2>			<h2>127-3224A2</h2>		
			SHEET 1 OF 1		



SPECIFICATIONS

MODEL 3224A2 MINIATURE VOLTAGE MODE (IEPE) ACCELEROMETER

SPECIFICATION	VALUE	UNITS
PHYSICAL		
WEIGHT, LESS CABLE	0.2	GRAMS
SIZE, BODY (WIDTH x LENGTH HEX x HEIGHT)	0.138 x 0.25 x .11	INCHES
MOUNTING PROVISION	FLAT MOUNTING SURFACE FOR ADHESIVE MOUNT	
CONNECTOR, COAXIAL	10-32 JACK AT END OF FIXED 3 FT. CABLE	
CASE MATERIAL	TITANIUM	
SENSING ELEMENT	PLANAR SHEAR QUARTZ	
PERFORMANCE		
SENSITIVITY ±10% [1] [2]	2.0	mV/G
RANGE F.S.	±2500	G's
FREQUENCY RESPONSE, ± 10 % [3]	2 to 10,000	Hz
MOUNTED RESONANT FREQUENCY, NOM.	95	kHz
EQUIVALENT ELECTRICAL NOISE FLOOR	.035	G's RMS
AMPLITUDE NON-LINEARITY (ZERO BASED BEST FIT ST.LINE METHOD)	2.0	% F.S., MAX.
TRANSVERSE SENSITIVITY, MAX.	2	PERCENT
STRAIN SENSITIVITY	.05	G's PER MICROSTRAIN @ 250/μσ
ENVIRONMENTAL		
MAXIMUM VIBRATION	400	G's, RMS
MAXIMUM SHOCK	5000	G's, PEAK
TEMPERATURE RANGE	-60 TO 300	°F
THERMAL COEFFICIENT OF SENSITIVITY	.03	%.°F
ENVIRONMENTAL SEAL	LASER WELDED	
ELECTRICAL		
SUPPLY CURRENT/COMPLIANCE VOLTAGE RANGE [3]	2 to 20/+18 to +30	mA/Volts
OUTPUT IMPEDANCE, TYP.	100	Ohms
BIAS VOLTAGE,	+8 to +10	VDC
DISCHARGE TIME CONSTANT, NOM.	0.3	Sec
OUTPUT SIGNAL POLARITY FOR ACCELERATION TOWARD TOP		Positive
CASE GROUNDING	Case is grounded to electrical power ground	

SUPPLIED ACCESSORIES:

[1] MODEL 6725 INSTALLATION REMOVAL WRENCH

NOTES:

- [1] MEASURED AT 100 Hz, 1 G RMS
- [2] ACTUAL SENSITIVITY IS GIVEN ON A CALIBRATION CERTIFICATE TRACEABLE TO NIST, SUPPLIED WITH EACH INSTRUMENT.
- [3] DO NOT APPLY POWER TO THIS DEVICE WITHOUT CURRENT LIMITING, 20 mA MAX. TO DO SO WILL DESTROY THE INTEGRAL IC AMPLIFIER