

PROPRIETARY AND CONFIDENTIAL

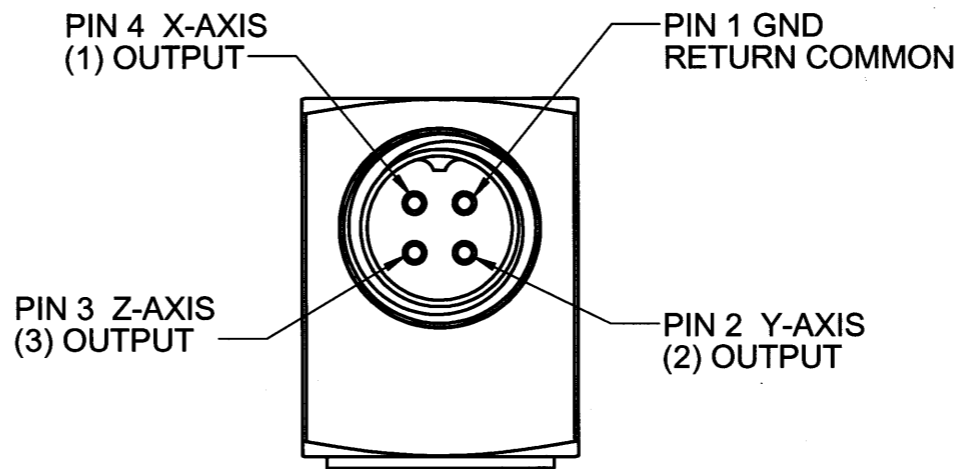
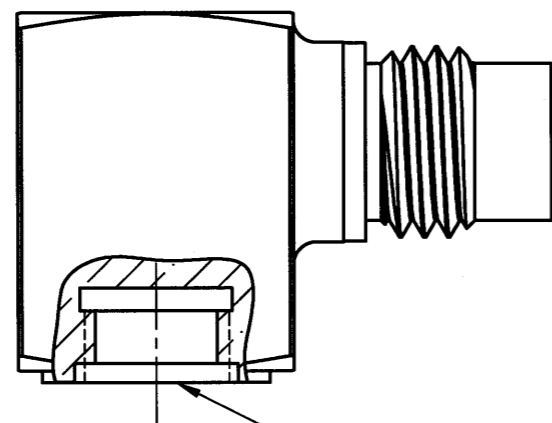
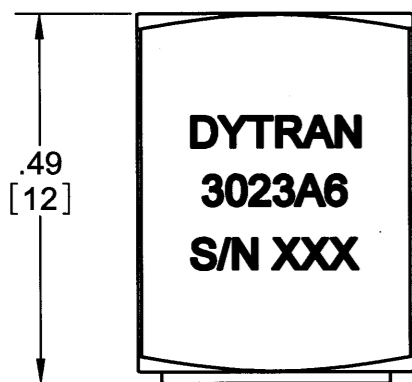
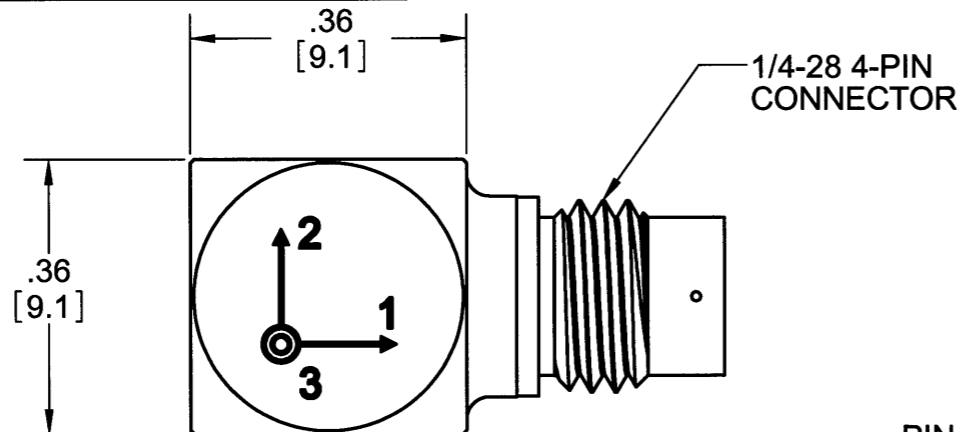
THE INFORMATION CONTAINED IN THIS DRAWING IS THE SOLE PROPERTY OF DYTRAN INSTRUMENTS INC. ANY REPRODUCTION IN PART OR AS A WHOLE WITHOUT THE WRITTEN PERMISSION OF DYTRAN INSTRUMENTS INC IS PROHIBITED.

DWG NO 127-3023A6

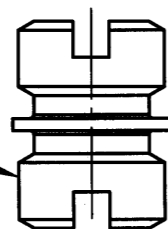
SH 1 REV A

REVISIONS

REV.	ECN	DESCRIPTION	BY/DATE	CHK	APPR
A	4777	INITIAL RELEASE	RLA, 7/30/07	CEB	CEB



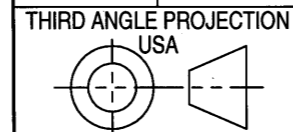
DYTRAN MODEL 6200 (PROVIDED)



NOTES:

4. SENSITIVITY: 5mV/g
3. WEIGHT: 4 GRAMS
2. ARROWS INDICATE ACCELERATION DIRECTION FOR POSITIVE OUTPUT
1. MATERIAL: TITANIUM ALLOY

DRILL HOLE SIZE	TOLERANCE
.0135 THRU .125	+0.004 / -.001
.1260 THRU .250	+0.005 / -.001
.2510 THRU .500	+0.006 / -.001
.5010 THRU .750	+0.008 / -.001
.7510 THRU 1.000	+0.010 / -.001
1.001 THRU 2.000	+0.012 / -.001



UNLESS OTHERWISE SPECIFIED:  
 INTERPRET DIM & TOL PER ASME Y14.5M - 1994.  
 REMOVE BURRS.  
 COUNTERSINK INTERNAL THDS 90° TO MAJOR DIA.  
 CHAM EXT THDS 45° TO MINOR DIA.  
 THD LENGTHS AND DEPTHS ARE FOR MIN FULL THDS.  
 THDS PER MIL-S-7742.  
 DIMENSIONS APPLY AFTER FINISHING

ALL MACHINED SURFACES. <sup>63</sup>√  
 TOTAL RUNOUT WITHIN .005.  
 BREAK SHARP EDGES .005 TO .010.  
 MACHINED FILLET RADII .005 TO .015.  
 WELDING SYMBOLS PER AWS A2.4.  
 ABBREVIATIONS PER MIL-STD-12.

UNLESS OTHERWISE SPECIFIED: DIMENSIONS ARE IN INCHES. TOLERANCES ARE: DECIMALS .XX ± .010 .XXX ± .005 ANGLES ± 1°	CONTRACT NO.	
	APPROVALS	DATE
MATERIAL:	ORIG	PML
	CHK	CEB
FINISH:	APP	CEB
	APP	8-1-7
DO NOT SCALE DRAWING		

**DYTRAN INSTRUMENTS, INC.** Chatsworth, CA

**MASTER ONLY IF IN RED**

TITLE: **OUTLINE DRAWING**

SIZE B	CAGE CODE 2W033	DWG NO 127-3023A6	REV A
SCALE: 4:1	SOLIDWORKS	SHEET 1 of 1	



## SPECIFICATIONS, MODEL 3023A6 TRIAXIAL ACCELEROMETER

SPECIFICATIONS	VALUE	UNITS
<b>PHYSICAL</b>		
WEIGHT	4	GRAMS
SIZE (HEIGHT x WIDTH x DEPTH)	0.49 x .36 x .36	INCHES
MOUNTING	10-32 TAPPED HOLE IN BASE	
CONNECTOR	4-PIN [1]	
MATERIAL, HOUSING/CONNECTOR	TITANIUM ALLOY	
<b>PERFORMANCE</b>		
SENSITIVITY, -10 +15% [2]	5	mV/G
RANGE, F.S. (each axis)	+/- 1000	G
FREQUENCY RESPONSE, -5 / +15%	1.5 to 10000	Hz
ELEMENT NATURAL FREQUENCY, NOM.	40	kHz
EQUIVALENT ELECTRICAL NOISE	.0095	G, RMS
LINEARITY [3]	1	%F.S.
TRANSVERSE SENSITIVITY, MAX.	5	%
SIGNAL POLARITY	POSITIVE FOR MOTION IN DIRECTION OF ARROWS ON HOUSING	
<b>ENVIRONMENTAL</b>		
MAXIMUM VIBRATION	+/- 600	G
MAXIMUM SHOCK	5000	G
TEMPERATURE RANGE	-60 to +250	°F
ENVIRONMENTAL SEAL	HERMETIC	
COEFFICIENT OF THERMAL SENSITIVITY	.03	%/°F
<b>ELECTRICAL</b>		
SUPPLY CURRENT RANGE, (each axis) [4]	2-to 20	mA
COMPLIANCE (SUPPLY) VOLTAGE RANGE (each axis)	+18 to +30	VDC
OUTPUT IMPEDANCE, TYP.	100	OHMS
OUTPUT BIAS VOLTAGE, NOM.	+10	VDC
DISCHARGE TIME CONSTANT, NOM.	0.3	SEC
GROUND ISOLATION	CASE GROUNDED	

[1] Connector mates with Dytran cable assy. Model 6811Axx. (xx = length in feet)

[2] Reference sensitivity measured at 100 Hz, 1 G RMS per ISA RP 37.2

[3] Linearity is % of specified full scale (or any lesser full scale range), zero-based best fit straight line method.

[4] Power only with Dytran IEPE power unit or other Dytran-compatible constant current type power unit. If power is applied without current limiting protection, the internal amplifier will be immediately destroyed.