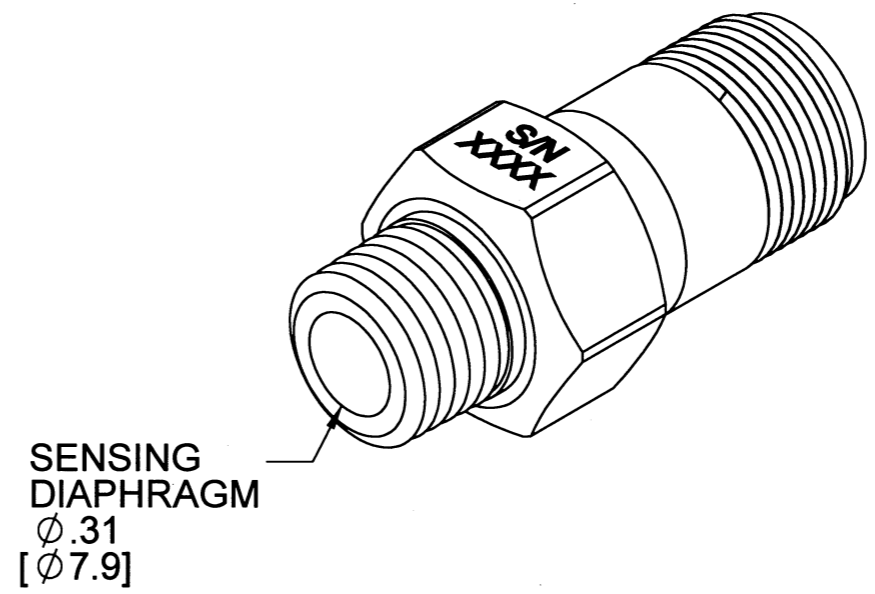
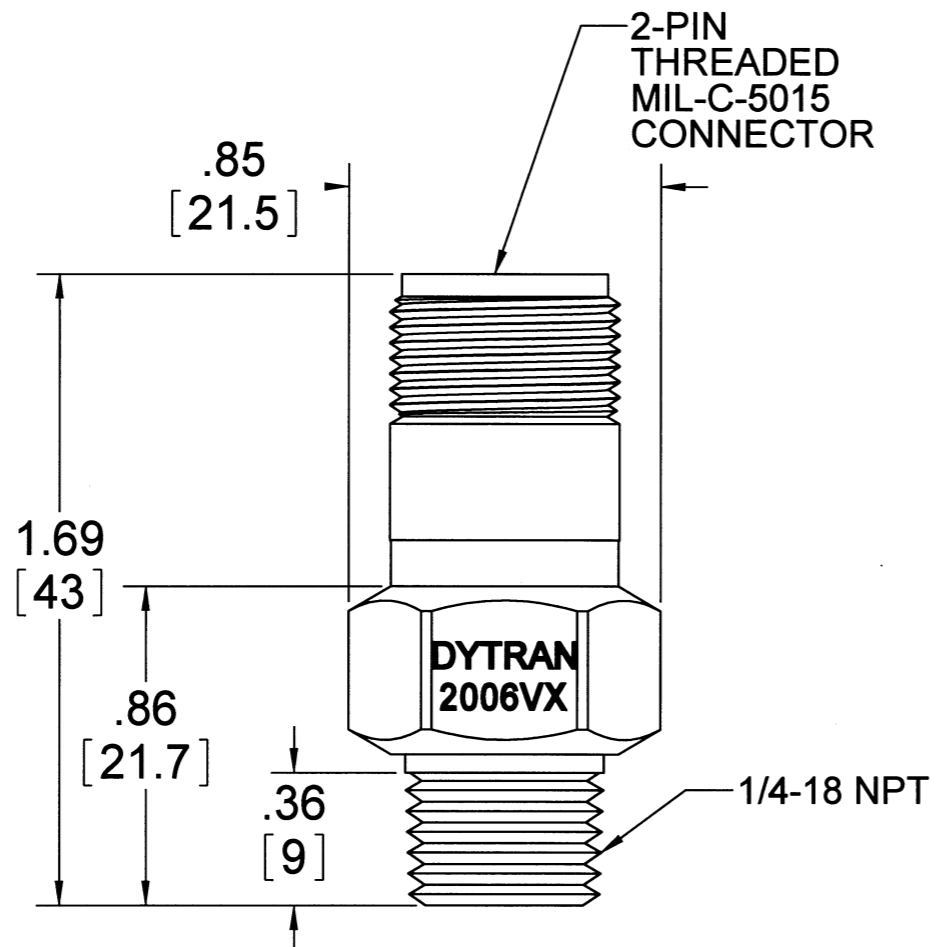
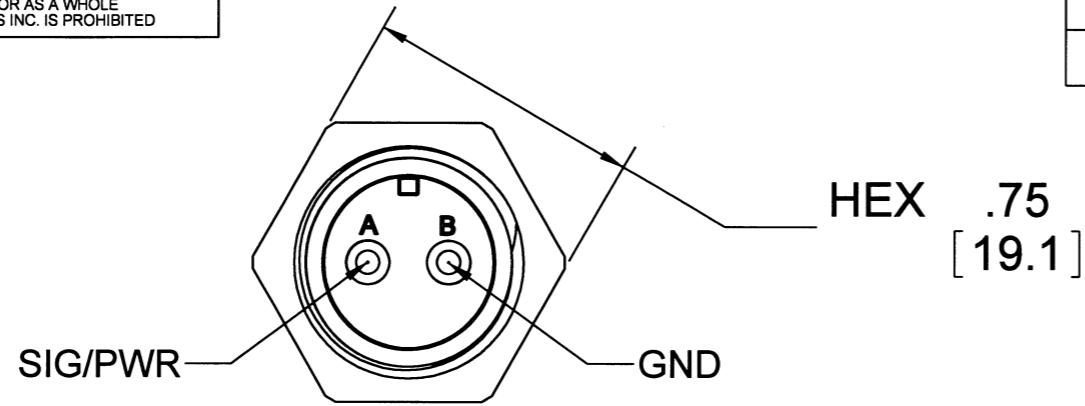


PROPRIETARY AND CONFIDENTIAL

THE INFORMATION CONTAINED IN THIS DRAWING IS THE SOLE PROPERTY OF DYTRAN INSTRUMENTS INC. ANY REPRODUCTION IN PART OR AS A WHOLE WITHOUT THE WRITTEN PERMISSION OF DYTRAN INSTRUMENTS INC. IS PROHIBITED

REVISIONS

REV.	ECN	DESCRIPTION	BY/DATE	CHK	APPR
A	5698	INITIAL RELEASE	01/26/09	AVS	<i>[Signature]</i>



MODEL	SENSITIVITY
2006V1	10MV/PSI
2006V2	50MV/PSI
2006V3	100MV/PSI

- 2. MATERIAL: HOUSING/DIAPHRAGM - 316L
CONNECTOR - 304L
 - 1. CASE TO GROUND PIN ISOLATION >100MΩ
- NOTES: UNLESS OTHERWISE SPECIFIED

DRILL HOLE SIZE	TOLERANCE	UNLESS OTHERWISE SPECIFIED: INTERPRET DIM & TOL PER ASME Y14.5M - 1994. REMOVE BURRS. COUNTERSINK INTERNAL THDS 90° TO MAJOR DIA. CHAM EXT THDS 45° TO MINOR DIA. THD LENGTHS AND DEPTHS ARE FOR MIN FULL THDS. THDS PER MIL-S-7742. DIMENSIONS APPLY AFTER FINISHING ALL MACHINED SURFACES. 63 TOTAL RUNOUT WITHIN .005. BREAK SHARP EDGES .005 TO .010. MACHINED FILLET RADII .005 TO .015. WELDING SYMBOLS PER AWS A2.4. ABBREVIATIONS PER MIL-STD-12.
.0135 THRU .125	+ .004 / - .001	
.1260 THRU .250	+ .005 / - .001	
.2510 THRU .500	+ .006 / - .001	
.5010 THRU .750	+ .008 / - .001	
.7510 THRU 1.000	+ .010 / - .001	
1.001 THRU 2.000	+ .012 / - .001	

THIRD ANGLE PROJECTION
USA

UNLESS OTHERWISE SPECIFIED: DIMENSIONS ARE IN INCHES. TOLERANCES ARE: DECIMALS .XX ± .010 .XXX ± .005 ANGLES ± 2°	CONTRACT NO.
MATERIAL:	APPROVALS
FINISH:	DATE
DO NOT SCALE DRAWING	ORIG DV 04/28/08 CHK AVS 1/27/09 APP DV 1/27/09

MASTER ONLY IF IN RED

DYTRAN INSTRUMENTS, Inc. Walsworth, CA

PRESSURE TRANSDUCER

TITLE: PRESSURE TRANSDUCER

SIZE B	CAGE CODE 2W033	DWG NO 127-2006V	REV A
SCALE: 2:1	SOLIDWORKS	SHEET 1 of 1	

MODEL NUMBER 2006V2	PERFORMANCE SPECIFICATION	DOC NO. PS2006V2
--------------------------------------	----------------------------------	-----------------------------------

DYNAMIC PRESSURE SENSOR, IEPE REV A ,ECN5698,01/15/09



- **HIGH SENSITIVITY**
- **ACCELERATION COMPENSATION**
- **ELECTRICALLY ISOLATED HOUSING**

PHYSICAL

Weight
Mounting Provision
Connector
Diaphragm Material

ENGLISH		SI	
1.4	oz	40.0	grams
1/4-18 MNPT		1/4-18 MNPT	
MIL-C-5012, 2 PIN	Type	MIL-C-5012, 2 PIN	
316L	Material	316L	

PERFORMANCE

Sensitivity +/- 10%
Range F.S for +/- 5 volts peak out
Maximum Pressure
Equivalent Electrical Noise (Resolution)
Mounted Resonant Frequency, NOM
Frequency Response, +/- 10%
Minimum Rise Time of Input Pulse
Discharge Time Constant, Min.
Linearity [1]
Lower -3db Frequency
Acceleration Sensitivity, Axial Direction

50	mV/psi	7.2×10^3	mV/Pa
+/-100	psi	689476	Pa
8000	psi	5.5×10^7	Pa
0.0014	psi	9.6527	Pa
90000	Hz	90000	Hz
2 TO 5000	Hz	2 TO 5000	Hz
2	µsec	2	µsec
0.17 to 0.2	sec	0.17 to 0.2	sec
+/-1	Hz	+/-1	%F.S
1	Hz	1	Hz
0.002	psi/g	0.014	Kpa/g

ENVIRONMENTAL

Maximum Vibration
Maximum Shock
Temperature Range
Maximum Temperature at Diaphragm
Thermal Coefficient Of Sensitivity
Environmental Seal
Power/Sig Ground Isolation

3000	g rms	3000	g rms
10000	g pk	10000	g pk
-40 to +250	°F	-40 to +121	°C
3000	°F	1649	°C
0.03	% / °F	0.02	% / °C
Hermetic		Hermetic	
100MΩ min @ 50	VDC	100MΩ min @ 50	VDC

ELECTRICAL

Excitation Voltage Range
Excitation Current Range [2]
Output Impedance NOM
Output Bias Voltage, NOM.
Output Signal Polarity

18 to 30	VDC	18 to 30	VDC
2 to 20	mA	2 to 20	mA
100	ohms	100	ohms
8 TO 14	VDC	8 TO 14	VDC
Positive		Positive	

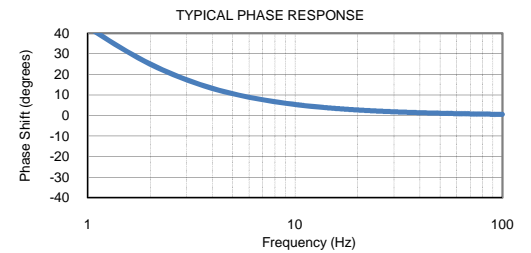
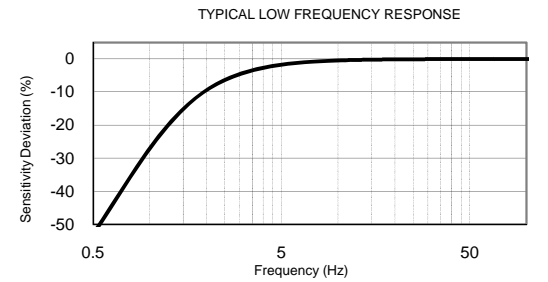
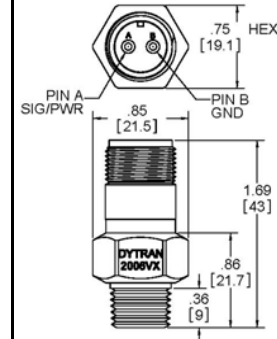
This family also includes:

Model	Sensitivity (mV/psi)	Range (psi pk)	Resolution (Grms)	Oper. Temp(°F)	TC
2006V1	10	500	0.0003	-40 to +250	0.17 to 0.2
2006V3	100	50	0.0004	-40 to +250	0.17 to 0.2

Please, refer to the performance specifications of the products in this family for detailed description.

Notes:

- [1] Percent full scale, zero based fit straight line method.
- [2] From constant current type power unit only. This sensor MUST NOT BE CONNECTED to a DC power source without current limiting, 20 Maximum.
- [3] A calibration certificate traceable to NIST is supplied with each instrument.



Units on the line drawing are in inches, units in brackets are in millimeters. Refer to 127-2006V for more information.



21592 Marilla Street, Chatsworth, California 91311 Phone: 818.700.7818 Fax:818.700.7880
www.dytran.com For permission to reprint this content, please contact info@dytran.com