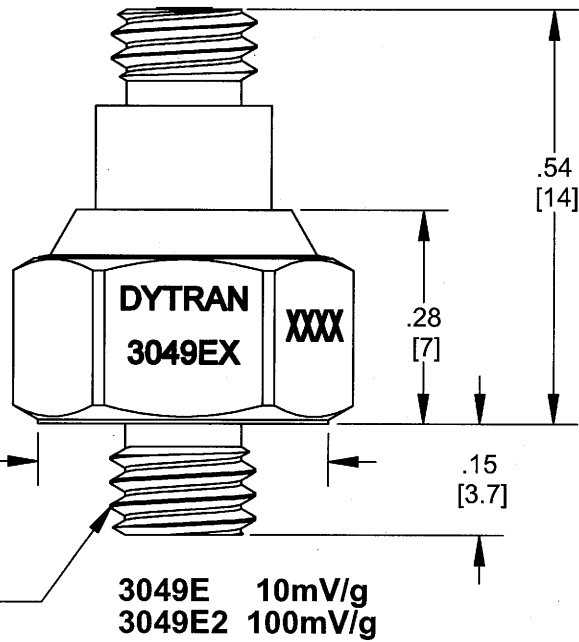
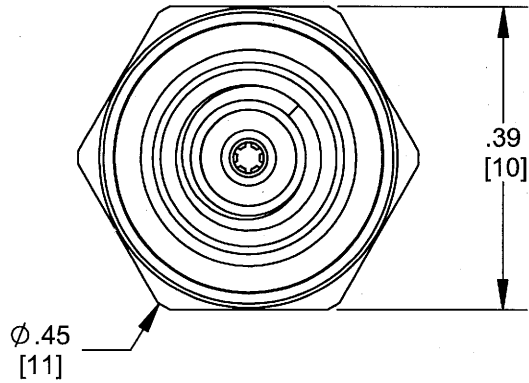
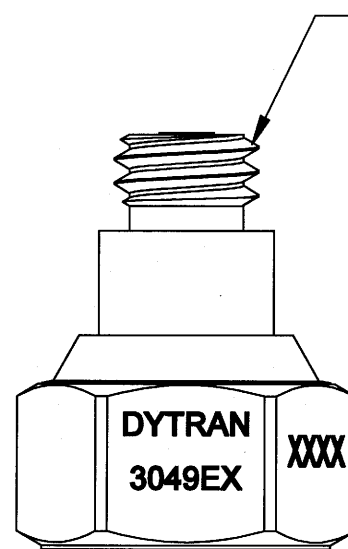


MODEL	SENSITIVITY	MOUNTING	WEIGHT
3049E	10 mV/g	STUD	3.3 GRAMS
3049E1	10 mV/g	ADHESIVE	3.1 GRAMS
3049E2	100 mV/g	STUD	3.3 GRAMS
3049E3	100 mV/g	ADHESIVE	3.1 GRAMS



10-32 UNF-2A
MOUNTING STUD

3049E 10mV/g
3049E2 100mV/g



10-32 COAXIAL CONNECTOR

↑
ACCELERATION IN THIS
DIRECTION PRODUCES
POSITIVE OUTPUT ON
CENTER CONNECTOR PIN

3049E1 10mV/g
3049E3 100mV/g

DYTRAN		INSTRUMENTS, INC.		CHATSWORTH, CA	
SCALE	4:1	REV	-	DATE	-
DATE	12/19/2005	PART NO.			
DRAWN	PML	CHECKED		MATERIAL	
APPROVED	PML 4.17.06		NEXT ASSEMBLY	USED ON	
TITLE				DWG NO.	
OUTLINE DRAWING, 3049E SERIES				127-3049E	
SHEET 1 OF 1					



SPECIFICATIONS
MODEL SERIES 3049E Series IEPE ACCELEROMETERS

SPECIFICATION					VALUE	UNITS
PHYSICAL						
WEIGHT	3049E, 3049E2				3.3	grams
	3049E1, 304E3				3.1	grams
SIZE, HEX x HEIGHT (all models)					.39 x .54	inches
MOUNTING PROVISION	3049E, 3049E2				10-32 integral stud x .15	inch
	3049E1, 3049E3				adhesive	
CONNECTOR, TOP MOUNTED					10-32	coaxial
MATERIAL, BASE, CAP & CONNECTOR					titanium alloy	
SEISMIC ELEMENT TYPE					ceramic, annular shear	
PERFORMANCE						
	3049E	3049E1	3049E2	3049E3		
SENSITIVITY, $\pm 5\%$ [1]	10	10	100	100		mV/g
RANGE F.S. FOR ± 5 VOLTS OUTPUT	± 500	± 500	± 50	± 50		g
FREQUENCY RANGE, $\pm 5\%$ (all models)			1 to 10,000			Hz
RESONANT FREQUENCY, NOM. (all models)			35			kHz
EQUIVALENT ELECTRICAL NOISE	.002	.002	.001	.001		grms
BASE STRAIN SENSITIVITY	.004	.004	.004	.004		eq g/ μ e
LINEARITY [2] (all models)			± 2			% F.S.
TRANSVERSE SENSITIVITY, MAX. (all models)			5			%
ENVIRONMENTAL						
	3049E	3049E1	3049E2	3049E3		
MAXIMUM VIBRATION	600	600	200	200		g pk
MAXIMUM SHOCK (all models)			5000			g pk
TEMPERATURE RANGE min	-60	-60	-60	-60		$^{\circ}$ F
max	250	250	212	212		$^{\circ}$ F
SEAL, HERMETIC (all models)			glass-to-metal/welded			
COEFFICIENT OF THERMAL SENSITIVITY			.06			% $^{\circ}$ F
ELECTRICAL						
SUPPLY CURRENT [3]		2 to 20				mA
COMPLIANCE VOLTAGE RANGE		+18 to +30				Volts
OUTPUT IMPEDANCE, TYP.		100				Ω
BIAS VOLTAGE.		+11 to +13				Vdc
DISCHARGE TIME CONSTANT, MIN.		0.5				Sec
OUTPUT SIGNAL POLARITY		positive				
FOR ACCELERATION TOWARD TOP						
ELECTRICAL ISOLATION, MIN		10				M Ω
CASE GROUND TO MOUNTING SURFACE						

Accessories supplied: none

[1] Measured at 100 Hz, 1 grms per ISA RP 37.2.

[2] Measured using zero-based best straight line method, % of F.S. or any lesser range.

[3] Do not apply power to this device without current limiting, 20 mA MAX. To do so will destroy the integral IC amplifier.