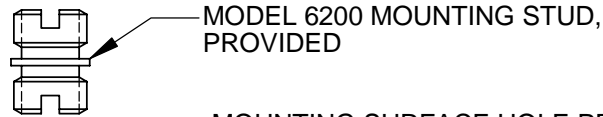
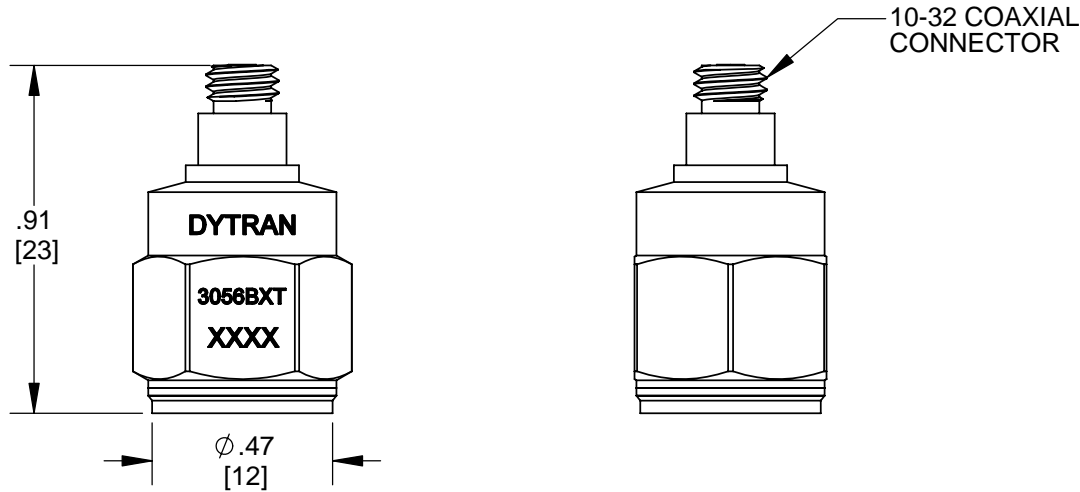
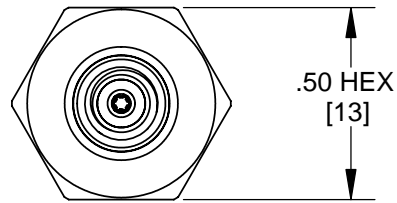
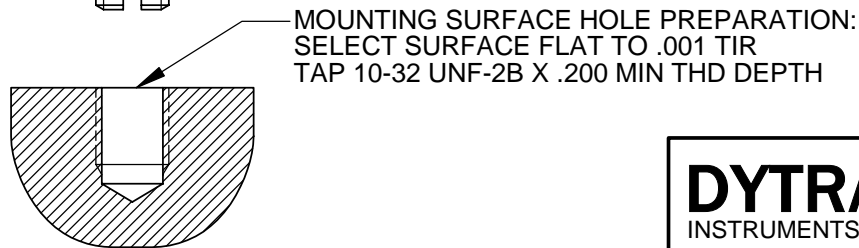


MODEL	SENSITIVITY	FULL SCALE, ±5V
3056B1T	10 mV/g	±500g
3056B2T	100 mV/g	±50g
3056B3T	500 mV/g	±10g



MODEL 6200 MOUNTING STUD,  
PROVIDED



MOUNTING SURFACE HOLE PREPARATION:  
SELECT SURFACE FLAT TO .001 TIR  
TAP 10-32 UNF-2B X .200 MIN THD DEPTH

**DYTRAN**  
INSTRUMENTS, INC.

CHATSWORTH, CA

SCALE	2:1	REV	-	DATE	-	ECN	-		
DATE	10/14/2005	PART NO.	3056BT SERIES						
DRAWN		CHECKED		MATERIAL	TITANIUM ALLOY				
APPROVED		NEXT ASSEMBLY		USED ON	3056BT SERIES				
TITLE	<b>OUTLINE / INSTALLATION DRAWING 3056BT SERIES ACCELEROMETER (TEDS)</b>						DWG NO.	127-3056BT	
							SHEET 1 OF 1		



**SPECIFICATIONS**  
**MODEL SERIES 3056BT IEPE ACCELEROMETERS WITH TEDS**

<b>SPECIFICATION</b>	<b>VALUE</b>			<b>UNITS</b>
<b>PHYSICAL</b>				
WEIGHT	8.7			grams
SIZE, HEX x HEIGHT	.50 x 0.91			inches
MOUNTING PROVISION	10-32 UNF-2B X .200 deep			
CONNECTOR, TOP MOUNTED	10-32 coaxial			
MATERIAL, BASE, CAP & CONNECTOR	titanium			
SEISMIC ELEMENT TYPE	ceramic, planar shear			
<b>PERFORMANCE</b>				
	<b>3056B1T</b>	<b>3056B2T</b>	<b>3056B3T</b>	
SENSITIVITY, ± 5% [1]	10	100	500	mV/g
RANGE F.S. FOR ± 5 VOLTS OUTPUT	± 500	±50	±10	g
FREQUENCY RANGE, ± 5%	0.6 to 5000	1.0 to 5000	1.0 to 5000	Hz
± 10%	1 to 10,000	1 to 10,000	1 to 10,000	Hz
RESONANT FREQUENCY, NOM.	32	32	32	kHz
EQUIVALENT ELECTRICAL NOISE FLOOR	0.0004	0.0001	0.00005	g rms
LINEARITY [2]	± 2	±2	±2	% F.S.
TRANSVERSE SENSITIVITY, MAX.	5	5	5	%
<b>ENVIRONMENTAL</b>				
	<b>3056B1T</b>	<b>3056B2T</b>	<b>3056B3T</b>	
MAXIMUM VIBRATION/SHOCK	600/5000	400/5000	200/5000	± g/g pk
TEMPERATURE RANGE, operational	-60 to +250	-60 to +250	-60 to +212	°F
TEMPERATURE RANGE, TEDS operation	-40 to +185	-40 to +185	-40 to +185	°F
SEAL, HERMETIC	Glass-to-metal and TIG welded			
COEFFICIENT OF THERMAL SENSITIVITY	.06	.06	.06	%/°F
<b>ELECTRICAL</b>				
	<b>3056B1T</b>	<b>3056B2T</b>	<b>3056B3T</b>	
SUPPLY CURRENT [3]	2 to 20	2 to 20	2 to 20	mA
COMPLIANCE VOLTAGE	+18 to +30	+18 to +30	+18 to +30	Vdc
OUTPUT IMPEDANCE, TYP.	20	120	210	Ω
BIAS VOLTAGE, +10.5 VOLTS NOM.	+11 to +13	+11 to +13	+11 to +13	Vdc
DISCHARGE TIME CONSTANT, NOM.	0.5	0.5	0.5	sec
OUTPUT SIGNAL POLARITY	positive			
FOR ACCELERATION TOWARD TOP				
ELECTRICAL ISOLATION, min	10	10	10	MΩ
CASE GROUND TO MOUNTING SURFACE				
IEPE SENSOR WITH TEDS FEATURE		PER IEEE 1451.4		

**Accessories supplied:** (1) Model 6200 mounting stud.

[1] Measured at 100 Hz, 1 g rms per ISA RP 37.2.

[2] Measured using zero-based best straight line method, % of F.S. or any lesser range.

[3] Do not apply power to this device without current limiting, 20 mA MAX. To do so will destroy the integral IC.