

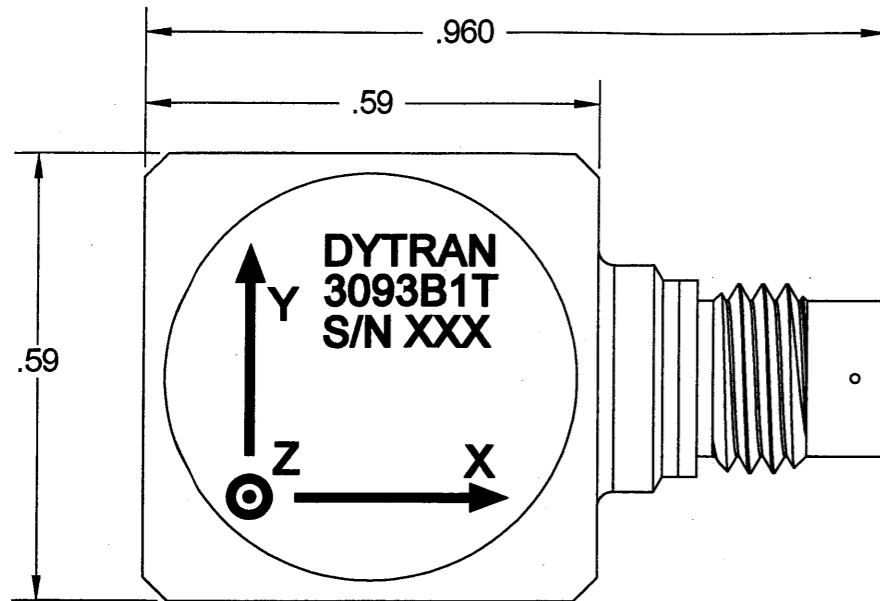
PROPRIETARY AND CONFIDENTIAL

THE INFORMATION CONTAINED IN THIS DRAWING IS THE SOLE PROPERTY OF DYTRAN INSTRUMENTS INC. ANY REPRODUCTION IN PART OR AS A WHOLE WITHOUT THE WRITTEN PERMISSION OF DYTRAN INSTRUMENTS INC. IS PROHIBITED

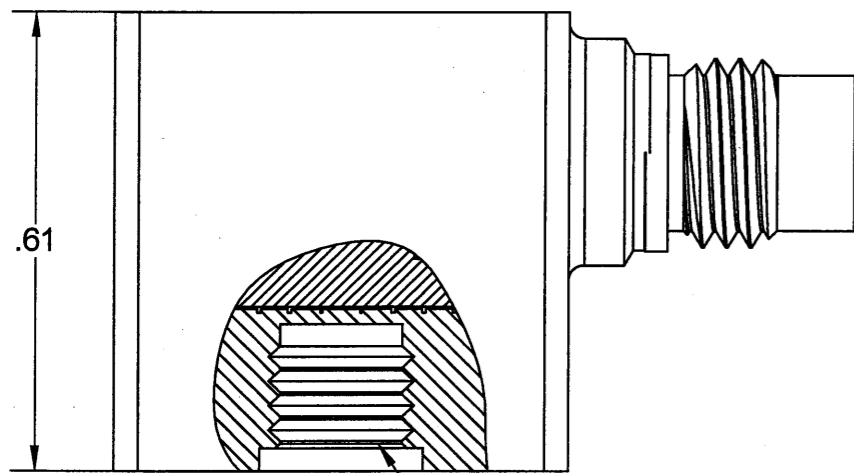
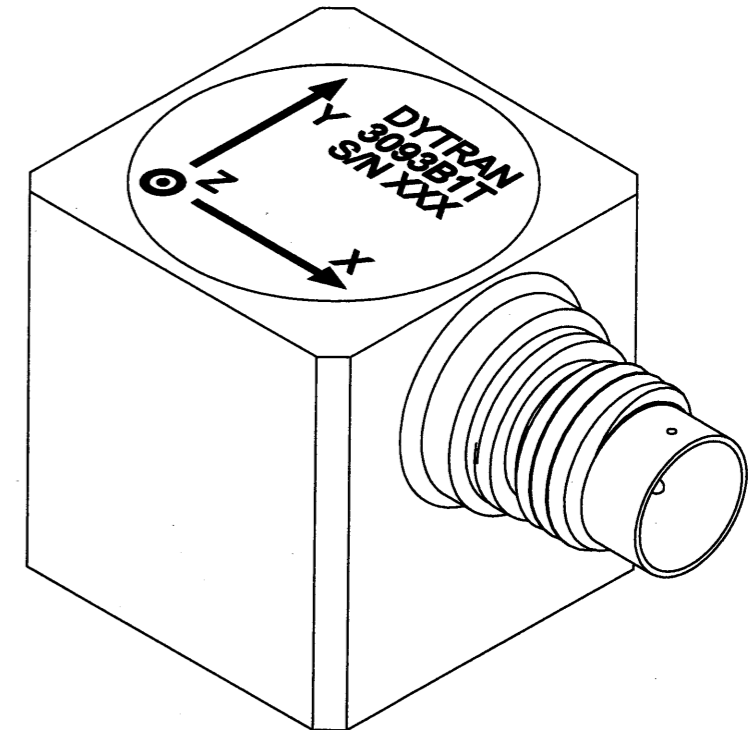
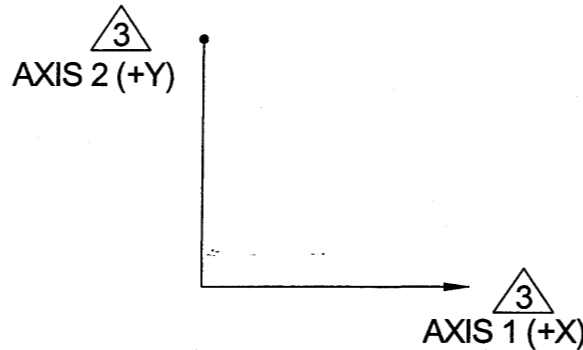
DWG NO 127-3093B1T SH 1 REV A

REVISIONS

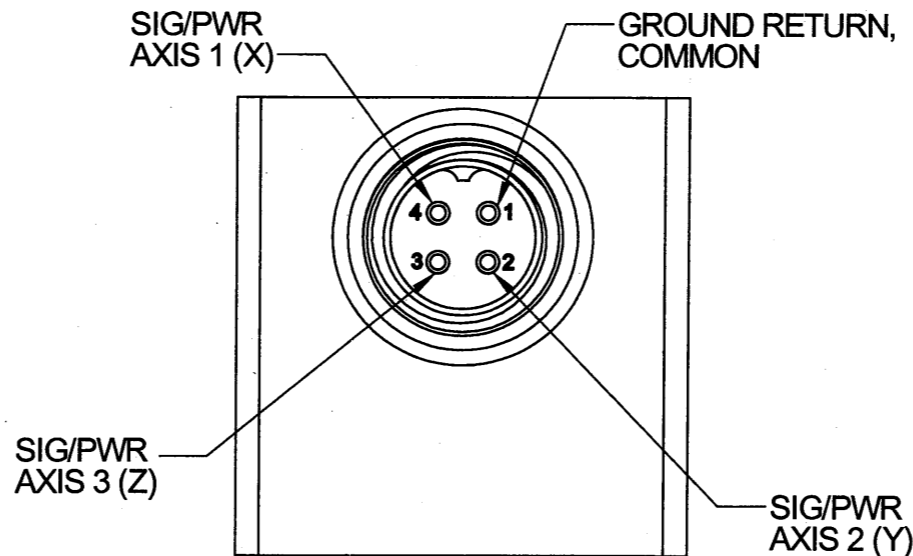
REV.	ECN	DESCRIPTION	BY/DATE	CHK	APPR
A	5233	INITIAL RELEASE	DV, 5/12/08	CEB	DV



CONNECTOR MATES WITH DYTRAN CABLE ASSY 6430AXX (XX DENOTES LENGTH IN FEET)



10-32 X .15 DP THD



MOUNTING SURFACE

3 (+) SIGNS INDICATE SENSITIVE AXIS AND DIRECTION OF INPUT ACCELERATION FOR POSITIVE OUTPUT SIGNAL.

2. WEIGHT 10 GRAMS.

1. MATERIAL TI 6AL-4V.

NOTES: UNLESS OTHERWISE SPECIFIED

DRILL HOLE SIZE	TOLERANCE	UNLESS OTHERWISE SPECIFIED: INTERPRET DIM & TOL PER ASME Y14.5M - 1994. REMOVE BURRS. COUNTERSINK INTERNAL THDS 90° TO MAJOR DIA. CHAM EXT THDS 45° TO MINOR DIA. THD LENGTHS AND DEPTHS ARE FOR MIN FULL THDS. THDS PER MIL-S-7742. DIMENSIONS APPLY AFTER FINISHING ALL MACHINED SURFACES. 63/
.0135 THRU .125	+0.04 / -.001	TOTAL RUNOUT WITHIN .005.
.1260 THRU .250	+0.005 / -.001	BREAK SHARP EDGES .005 TO .010.
.2510 THRU .500	+0.006 / -.001	MACHINED FILLET RADII .005 TO .015.
.5010 THRU .750	+0.008 / -.001	WELDING SYMBOLS PER AWS A2.4.
.7510 THRU 1.000	+0.010 / -.001	ABBREVIATIONS PER MIL-STD-12.
1.001 THRU 2.000	+0.012 / -.001	

THIRD ANGLE PROJECTION USA

UNLESS OTHERWISE SPECIFIED: DIMENSIONS ARE IN INCHES. TOLERANCES ARE:
 DECIMALS .XX ± .010
 .XXX ± .005
 ANGLES ± 1°

CONTRACT NO.

MATERIAL:

FINISH:

DO NOT SCALE DRAWING

APPROVALS

ORIG	JS	DATE
CHK	CEB	5.21.8
APP	DV	5.21.8
APP		

DYTRAN INSTRUMENTS, INC. Chatsworth, CA
MASTER ONLY IF IN RED

TITLE: **OUTLINE/ INSTALLATION DRAWING MODEL 3093B1T**

SIZE	CAGE CODE	DWG NO	REV
B	2W033	127-3093B1T	A

SCALE: 4:1 SOLIDWORKS SHEET 1 of 1

SPECIFICATIONS, MODEL 3093B1T TRIAXIAL ACCELEROMETER

SPECIFICATIONS	VALUE	UNITS
RANGE, F.S. (each axis, for ± 5 volts out)	± 50	G
SENSITIVITY, +15 -10% [1]	100	mV/G
FREQUENCY RESPONSE, +/- 5%	2 to 5000	Hz
ELEMENT NATURAL FREQUENCY, NOM.	30	kHz
DISCHARGE TIME CONSTANT, NOM.	0.5	SEC
EQUIVALENT ELECTRICAL NOISE	.007	G, RMS
LINEARITY [2]	1	%F.S.
TRANSVERSE SENSITIVITY, MAX,	5	%
OUTPUT BIAS VOLTAGE, NOM.	+10	VDC
OUTPUT IMPEDANCE, TYP.	100	OHMS
TEMPERATURE RANGE	-60 to +180	°F
COEFFICIENT OF THERMAL SENSITIVITY	.03	%/°F
MAXIMUM VIBRATION	+/- 100	G
MAXIMUM SHOCK	500	G
SIZE (HEIGHT x WIDTH x DEPTH)	0.61 x .59 x .59	INCHES
WEIGHT	10.0	GRAMS
CONNECTOR	4-PIN [3]	
SUPPLY CURRENT RANGE, (each axis) [4]	2-to 20	mA
COMPLIANCE (SUPPLY) VOLTAGE RANGE (each axis)	+18 to +30	VDC
MATERIAL, HOUSING/CONNECTOR	316L	STAINLESS STEEL
ENVIRONMENTAL SEAL	HERMETIC	
MOUNTING [5]	10-32 TAPPED HOLE	
GROUND ISOLATION	10, MIN.	MEGOHMS
TED S TEMPLATE	1451.4 V1.0	

[1] Reference sensitivity measured at 100 Hz, 1 G RMS per ISA RP 37.2

[2] Linearity is % of specified full scale (or any lesser full-scale range), zero-based best fit straight-line method.

[3] Connector mates with Dytran cable assy. Model 6430AXX. (XX = length in feet)

[4] Power only with Dytran LIVM power unit or other Dytran-compatible constant current type power unit. If power is applied without current limiting protection, the internal amplifier will be immediately destroyed.

[5] Case ground isolation is achieved by internal means.