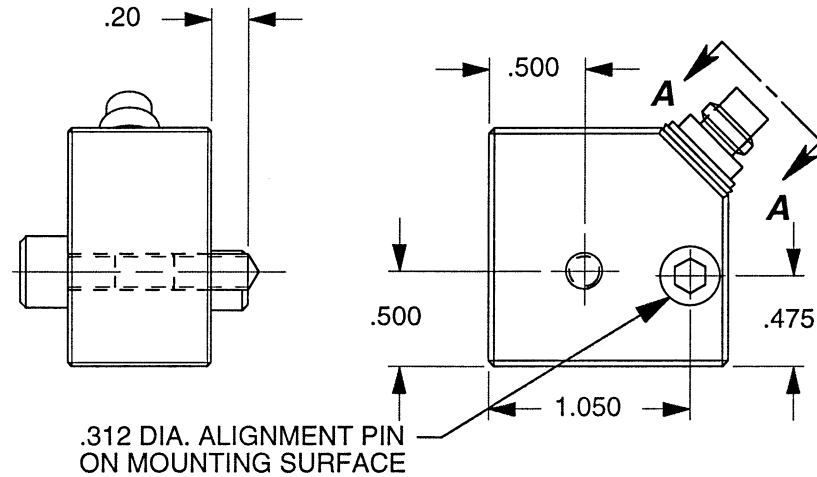
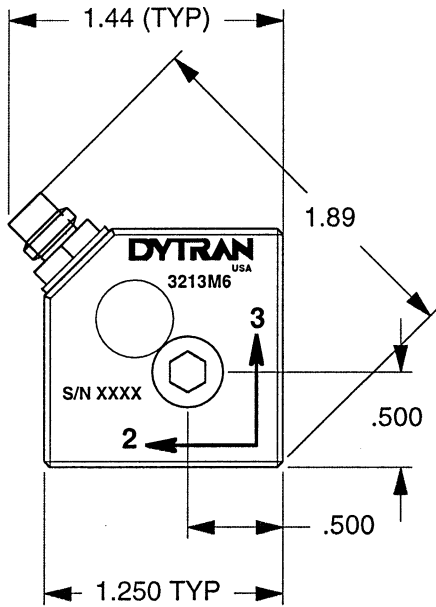
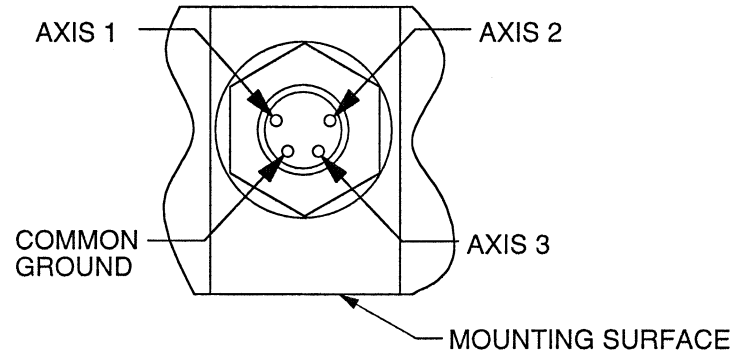
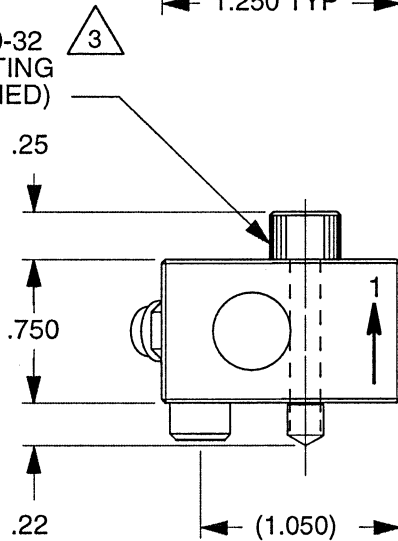


REV	ECN	DESCRIPTION	BY/DATE	CHK	APPR
A	5572	INITIAL RELEASE	JS 10/27/08	RA	DV



.312 DIA. ALIGNMENT PIN ON MOUNTING SURFACE

MODEL 6523A 10-32 CAPTIVE MOUNTING SCREW, (SUPPLIED)



VIEW A-A SHOWING CONNECTOR PINOUT, ROTATED, SCALE 2X.

4. RECOMMENDED CABLE: MODEL 6850A07. SEE DWG. 127-6850A FOR CABLE PINOUT.

3 TORQUE MOUNTING SCREW TO 10 TO 15 LB-INCHES.

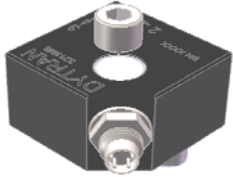
2. WEIGHT, INCLUDING MOUNTING SCREW: 58 GRAMS.

1 HOUSING MATERIAL: ANODIZED ALUMINUM.

EXCEPT AS OTHERWISE NOTED:
ALL DIMENSIONS IN INCHES.
TOLERANCES:
.XXX = .005 .XX = .01

		<h1>MASTER ONLY IF IN RED</h1>		CHATSWORTH, CA.	
SCALE	1X	REV	-	DATE	SEE REV BLK
DATE	10/28/08	PART NO.	MODEL 3213M6		
DRAWN	JS	CHECKED	RA		
APPROVED	DV 10/29/08		NEXT ASSEMBLY	-	USED ON
TITLE			OUTLINE/INSTALLATION DRAWING, MODEL 3213M6 TRIAXIAL ACCELEROMETER 100MV/G		DWG NO.
					127-3213M6
					SHEET 1 OF 1

Model Number 3213M6	PERFORMANCE SPECIFICATION	DOC NO PS3213M6
	TRIAXIAL IEPE ACCELEROMETER	REV A, ECN 6165, 08/13/09



- **EXTREME STABILITY OVER TEMPERATURE**
- **EXCELLENT LINEARITY**
- **INTERNALLY CASE GROUND ISOLATED**
- **HERMETICALLY SEALED**

PHYSICAL

Weight
Size (Height x Width x Depth)
Connector Pins
Mounting Provision: Central Mounting Screw, Captive
Material : Housing / Connector
Element Style

ENGLISH		SI	
2.03	oz	58	grams
0.75 x 1.25 x 1.25	Inches	19.05 x 31.75 x 31.75	mm
4 PIN		4 PIN	
1/4 - 28		1/4 - 28	
Aluminum Alloy, Anodized		Aluminum Alloy, Anodized	
Ceramic Planar Shear		Ceramic Planar Shear	

PERFORMANCE

Sensitivity, ±10% [1]
Range F.S (each axis)
Frequency Response, ± 10%
Equivalent Natural Frequency, Nominal
Equivalent Electrical Noise B/B
Linearity [2]
Maximum Transverse sensitivity
Signal Polarity [3]

100	mV/g	10.20	mV/m/s ²
±50	g	±4905	m/s ²
1.5 to 5000	Hz	1.5 to 5000	Hz
30	kHz	30	kHz
0.004	grms	0.039	m/s ² rms
± 1%	% F.S.	± 1%	% F.S.
5	%	5	%
Positive	g/μσ	Positive	m/s ² /μσ

ENVIRONMENTAL

Maximum Vibration
Maximum Shock
Temperature Range
Seal
Base Strain

±500	g's, peak	±9810	m/s ² peak
±5000	g's, peak	±49050	m/s ² peak
-40 to +200	°F	-40 to +93	°C
Hermetic		Hermetic	
0.002	g/μσ	0.02	m/s ² /μσ

Electrical

Supply Current Range, (each axis) [4]
Compliance (Supply) Voltage Range (each axis)
Output Impedence, Typ
Bias Voltage
Discharge Tme Constant, Nom
Gorund Isolation [5]

2 to 20	mA	2 to 20	mA
+ 18 to +30	Volts	+ 18 to +30	Volts
100	Ω	100	Ω
+11 to +13	VDC	+11 to +13	VDC
0.4	Sec	0.4	Sec
10	GΩ, min	10	GΩ, min

This family also includes:

Model	Sensitivity (mV/g)	Range F.S (g)	Time Constant (sec)	Operating Temperature (°F)
3213M2	10	± 500	0.5	-60 to +150
3213M3	100	± 50	0.5	-60 to +150
3213M4	100	± 50	0.2 to 0.3	-60 to +200

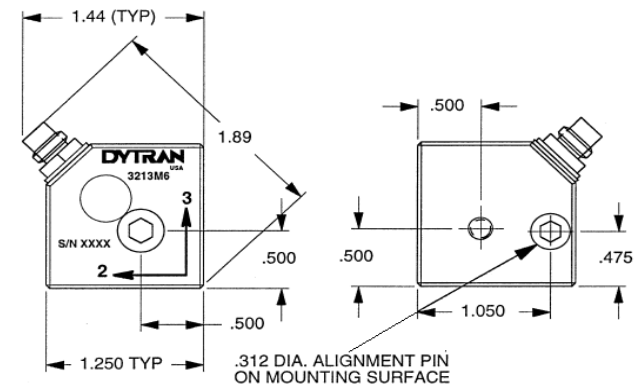
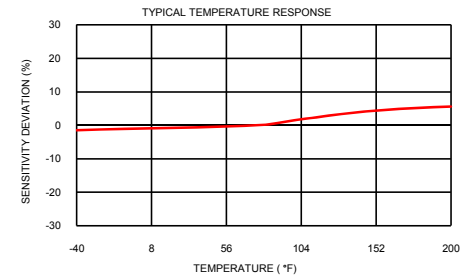
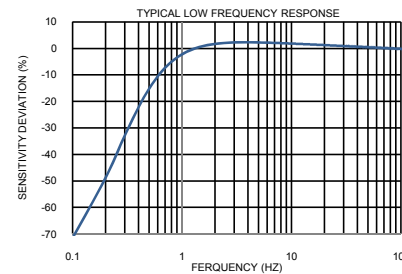
Please, refer to the performance specifications of the products in this family for detailed description

Supplied Accessories:

- 1) Accredited calibration certificate (ISO 17025)
- 2) Model 6523A mounting screw, 10-32 x 0.970 long, pointed tip, socket head, stainless steel

Notes:

- [1] Measure at 100Hz, 1 grms per ISA RP 37.2
- [2] Measure using zero-based straight line method, % of F.S. or any lesser range.
- [3] For motion in direction of arrows etched on housing.
- [4] Do not apply power to this system without current limiting, 20 mA MAX. To do so will destroy the IC charge amplifier.
- [5] Case ground isolation is achieved by internal means.



Units on the line drawing are in inches. Refer to 127-3213M6 for more information.



21592 Marilla Street, Chatsworth, California 91311 Phone: 818.700.7818 Fax: 818.700.7880 www.dytran.com
For permission to reprint this content, please contact info@dytran.com