



**SPECIFICATIONS
MODEL SERIES 3234A IEPE ACCELEROMETERS**

SPECIFICATION	VALUE	UNITS		
PHYSICAL				
WEIGHT	12	grams		
SIZE, SQUARE x HEIGHT	.50 x 0.62	inches		
MOUNTING PROVISION	10-32 X .150 DEEP TAPPED HOLE			
CONNECTOR, SIDE MOUNTED	10-32 Coaxial			
MATERIAL, BASE, CAP & CONNECTOR	TITANIUM			
SEISMIC ELEMENT TYPE	CERAMIC, PLANAR SHEAR			
	MODELS			
	3234A1	3234A2	3234A3	
PERFORMANCE				
SENSITIVITY, ± 5% [1]	10	100	500	mV/g
RANGE F.S. FOR ± 5 VOLTS OUTPUT	± 500	±50	±10	g's
FREQUENCY RANGE, ± 5% (all models)		1 to 10,000		Hz
RESONANT FREQUENCY, NOM. (all models)		35		kHz
EQUIVALENT ELECTRICAL NOISE	.007	.0007	.0002	grms
LINEARITY [2] (all models)		±2		% F.S.
TRANSVERSE SENSITIVITY, MAX. (all models)		5		%
BASE STRAIN SENSITIVITY		0.0028		g's/μσ
	3234A1	3234A2	3234A3	
ENVIRONMENTAL				
MAXIMUM VIBRATION/SHOCK	600/5000	400/5000	200/5000	± gpk
TEMPERATURE RANGE	-60 to +250	-60 to +225	-60 to +180	°F
SEAL, HERMETIC		Glass-to-metal/welded		
COEFFICIENT OF THERMAL SENSITIVITY		.06		%/°F
ELECTRICAL				
SUPPLY CURRENT [3]		2 to 20		mA
COMPLIANCE VOLTAGE RANGE		18 to +30		Volts
OUTPUT IMPEDANCE, TYP.		100		Ω
BIAS VOLTAGE, +10.5 VOLTS NOM.		+11 to +13		VDC
DISCHARGE TIME CONSTANT, NOM.		0.5 – 0.7		Sec
OUTPUT SIGNAL POLARITY		Positive		
FOR ACCELERATION TOWARD TOP				
ELECTRICAL ISOLATION		10MΩ MIN		

Accessories supplied: (1) Model 6200 mounting stud.

[1] Measured at 100 Hz, 1 grms per ISA RP 37.2.

[2] Measured using zero-based best straight line method, % of F.S. or any lesser range.

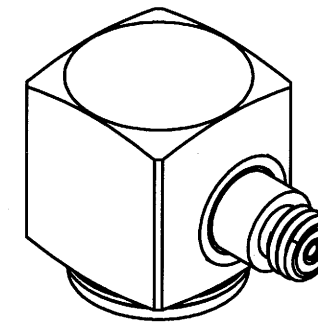
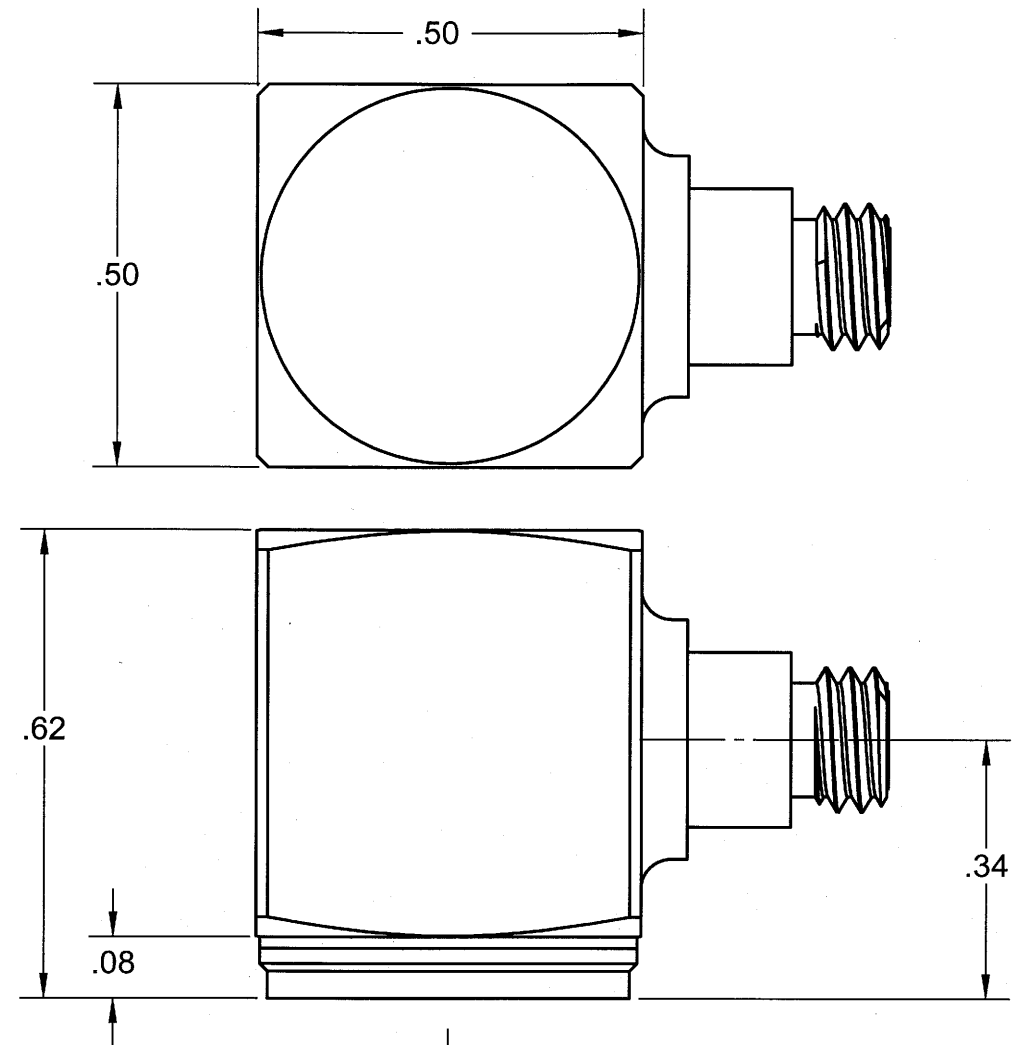
[3] Do not apply power to this device without current limiting, 20 mA MAX. To do so will destroy the integral IC amplifier.

PROPRIETARY AND CONFIDENTIAL

THE INFORMATION CONTAINED IN THIS DRAWING IS THE SOLE PROPERTY OF DYTRAN INSTRUMENTS INC. ANY REPRODUCTION IN PART OR AS A WHOLE WITHOUT THE WRITTEN PERMISSION OF DYTRAN INSTRUMENTS INC IS PROHIBITED.

REVISIONS

REV.	ECN	DESCRIPTION	BY/DATE	CHK	APPR
A	5013	INITIAL RELEASE	JS 01-10-08	<i>CEJ</i>	<i>CEJ</i>



MODEL	SENSITIVITY	REV	DATE
	mV/g		
3234A1	10	A	10/19/07
3234A2	100	A	10/19/07
3234A3	500	A	10/19/07

TAPPED HOLE FOR 10-32 MOUNTING STUD (MODEL 6200, SUPPLIED)

DRILL HOLE SIZE	TOLERANCE	UNLESS OTHERWISE SPECIFIED: INTERPRET DIM & TOL PER ASME Y14.5M - 1994. REMOVE BURRS. COUNTERSINK INTERNAL THDS 90° TO MAJOR DIA. CHAM EXT THDS 45° TO MINOR DIA. THD LENGTHS AND DEPTHS ARE FOR MIN FULL THDS. THDS PER MIL-S-7742. DIMENSIONS APPLY AFTER FINISHING
.0135 THRU .125	+0.04 / -.001	ALL MACHINED SURFACES. \checkmark TOTAL RUNOUT WITHIN .005. BREAK SHARP EDGES .005 TO .010. MACHINED FILLET RADII .005 TO .015. WELDING SYMBOLS PER AWS A2.4. ABBREVIATIONS PER MIL-STD-12.
.1260 THRU .250	+0.05 / -.001	
.2510 THRU .500	+0.06 / -.001	
.5010 THRU .750	+0.08 / -.001	
.7510 THRU 1.000	+0.10 / -.001	
1.001 THRU 2.000	+0.12 / -.001	

THIRD ANGLE PROJECTION USA

UNLESS OTHERWISE SPECIFIED: DIMENSIONS ARE IN INCHES. TOLERANCES ARE:
 DECIMALS .XX ± .010 .XXX ± .005
 ANGLES ± 1°

CONTRACT NO.

APPROVALS DATE

ORIG PML 10/19/07

CHK *CEJ* 01.10.08

APP *CEJ* 01.10.08

APP

MATERIAL: Ti 6Al-4V

FINISH:

DO NOT SCALE DRAWING



TITLE: **OUTLINE DRAWING, 3234A**

SIZE B CAGE CODE 2W033 DWG NO 127-3234A REV A

SCALE: 4:1 SOLIDWORKS SHEET 1 of 1