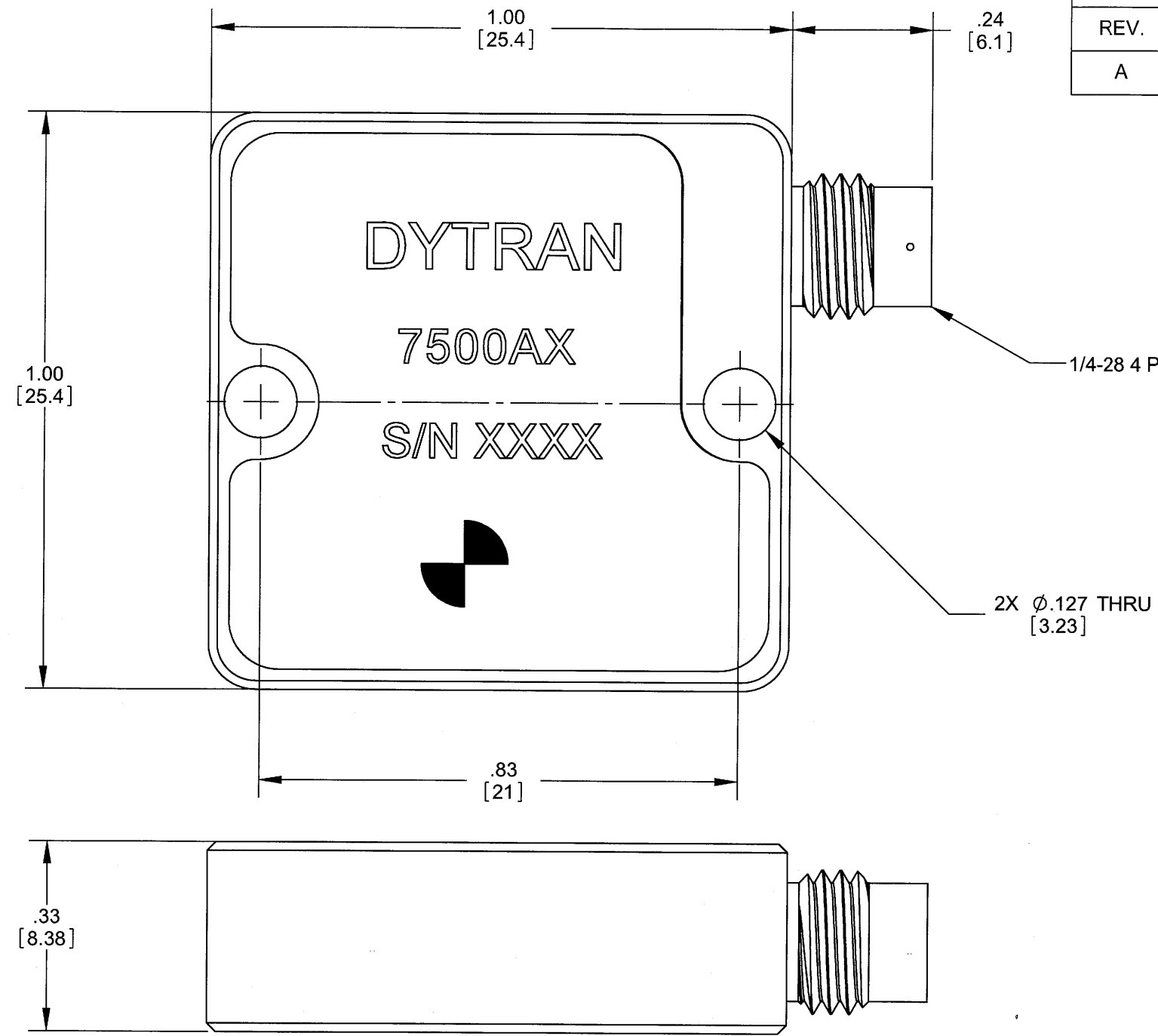


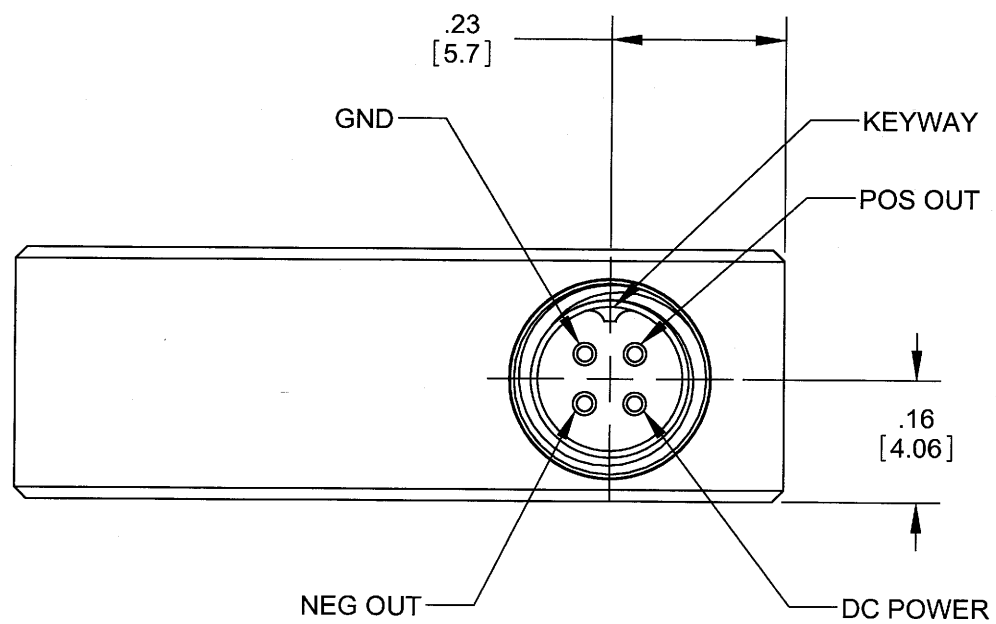
REVISIONS					
REV.	ECN	DESCRIPTION	BY/DATE	CHK	APPR
A	4634	INITIAL RELEASE	R.L.A. 5/2/07	CEL	CEL



1/4-28 4 PIN CONNECTOR

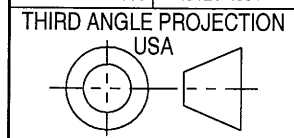
2X Ø.127 THRU [3.23]

MODEL NO.	REV	ECN	RANGE
7500A1	A	4634	2g
7500A2	A	4634	5g
7500A3	A	4634	10g
7500A4	A	4634	25g
7500A5	A	4634	50g
7500A6	A	4634	100g
7500A7	A	4634	200g
7500A8	A	4634	400g



1 DIMENSIONS IN BRACKETS [X.XX] ARE IN MILLIMETERS.  
NOTES: UNLESS OTHERWISE SPECIFIED

DRILL HOLE SIZE	TOLERANCE
.0135 THRU .125	+0.004 / -.001
.1260 THRU .250	+0.005 / -.001
.2510 THRU .500	+0.006 / -.001
.5010 THRU .750	+0.008 / -.001
.7510 THRU 1.000	+0.010 / -.001
1.001 THRU 2.000	+0.012 / -.001



UNLESS OTHERWISE SPECIFIED:  
INTERPRET DIM & TOL PER ASME Y14.5M - 1994.  
REMOVE BURRS.  
COUNTERSINK INTERNAL THDS 90° TO MAJOR DIA.  
CHAM EXT THDS 45° TO MINOR DIA.  
THD LENGTHS AND DEPTHS ARE FOR MIN FULL THDS.  
THDS PER MIL-S-7742.  
DIMENSIONS APPLY AFTER FINISHING

ALL MACHINED SURFACES. TOTAL RUNOUT WITHIN .005.  
BREAK SHARP EDGES .005 TO .010.  
MACHINED FILLET RADII .005 TO .015.  
WELDING SYMBOLS PER AWS A2.4.  
ABBREVIATIONS PER MIL-STD-12.

UNLESS OTHERWISE SPECIFIED:  
DIMENSIONS ARE IN INCHES.  
TOLERANCES ARE:  
DECIMALS .XX ± .010  
.XXX ± .005  
ANGLES ± 1°

MATERIAL: TITANIUM

FINISH:

DO NOT SCALE DRAWING

CONTRACT NO.	
APPROVALS	DATE
ORIG	TMD 8/16/06
CHK	CEL 05-23-07
APP	CEL 05-23-07
APP	

**DYTRAN** MASTER ONLY IF IN RED  
INSTRUMENTS, INC. Chatsworth, CA

TITLE: **OUTLINE/INSTALLATION DRAWING**

SIZE B	CAGE CODE 2W033	DWG NO 127-7500A	REV A
SCALE: 4:1	SOLIDWORKS	SHEET 1 of 1	



## SPECIFICATIONS, SERIES 7500A ACCELEROMETER

### PERFORMANCE BY MODEL NUMBER (Vs = +9 to +32Vdc, Tc=+25°C)

	7500A1	7500A2	7500A3	7500A4	7500A5	7500A6	7500A7	UNITS
Input Range	±2	±5	±10	±25	±50	±100	±200	g
Frequency Range (3dB) [1]	0-400	0-600	0-1000	0-1500	0-2000	0-2500	0-2500	Hz
Sensitivity, Differential [2]	1000	400	200	80	40	20	10	mV/g
Output Noise (typical), Differential	8	9	10	25	50	100	200	µg rms/√Hz
Maximum Mechanical Shock	2000	2000	2000	2000	2000	2000	2000	gpk

### PERFORMANCE FOR ALL MODEL NUMBERS (Vs = +9 to +32Vdc, Tc=+25°C), Differential Mode

	MIN	NOM	MAX	UNITS
Transverse Sensitivity		1	2	%
Bias Calibration Error	7500A1		4.0	% of span
	7500A2 thru A7		1.5	% of span
Bias Temperature Shift [3]	7500A1	100	200	(ppm of span)/°C
	7500A2 thru A7	50	100	(ppm of span)/°C
Scale Factor Calibration Error [4]		1	2	%
Scale Factor Temperature Shift [3]	7500A1 thru A3	-250	+150	ppm/°C
	7500A4 thru A7	-150	+150	ppm/°C
Non-Linearity [5]	7500A1 thru A5		0.3	% of span
	7500A6, A7		0.5	% of span
Power Supply Rejection Ratio	50	>65		dB
Output Impedance		1		Ω
Output Common Mode Voltage		2.45		VDC
Operating Voltage	9		32	VDC
Operating Current (AOP & AON open)		12	14	mA DC
Operating Temperature Range	-55		+125	°C

### PHYSICAL PARAMETERS FOR ALL MODEL NUMBERS

Case Material	titanium alloy
Connector Location	side
Connector Type	¼-28 thread, 4-pin
Mating Cable (ref)	6854AXX
Mounting Provision	two #4 or M3 screws
Environmental Seal	hermetic

	MIN	NOM	MAX	UNITS
Case Length		1.00		inch
Case Width		1.00		inch
Case Height		0.33		inch
Mounting Hole Spacing		.825		inch
Mass		13		grams

#### NOTES:

- [1] 250Hz ±100Hz, -3dB bandwidth, optionally available
- [2] Single ended sensitivity is half of values shown
- [3] Over the rated temperature range
- [4] 100g versions and above are tested from -65g to +65g
- [5] -90% to +90% of Full Scale

#### SUPPLIED ACCESSORIES:

- (2) MOUNTING SCREWS, 4-40 x .5 inch