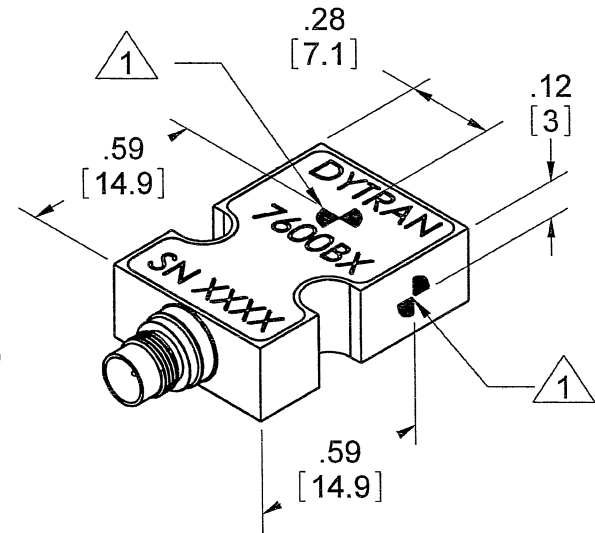
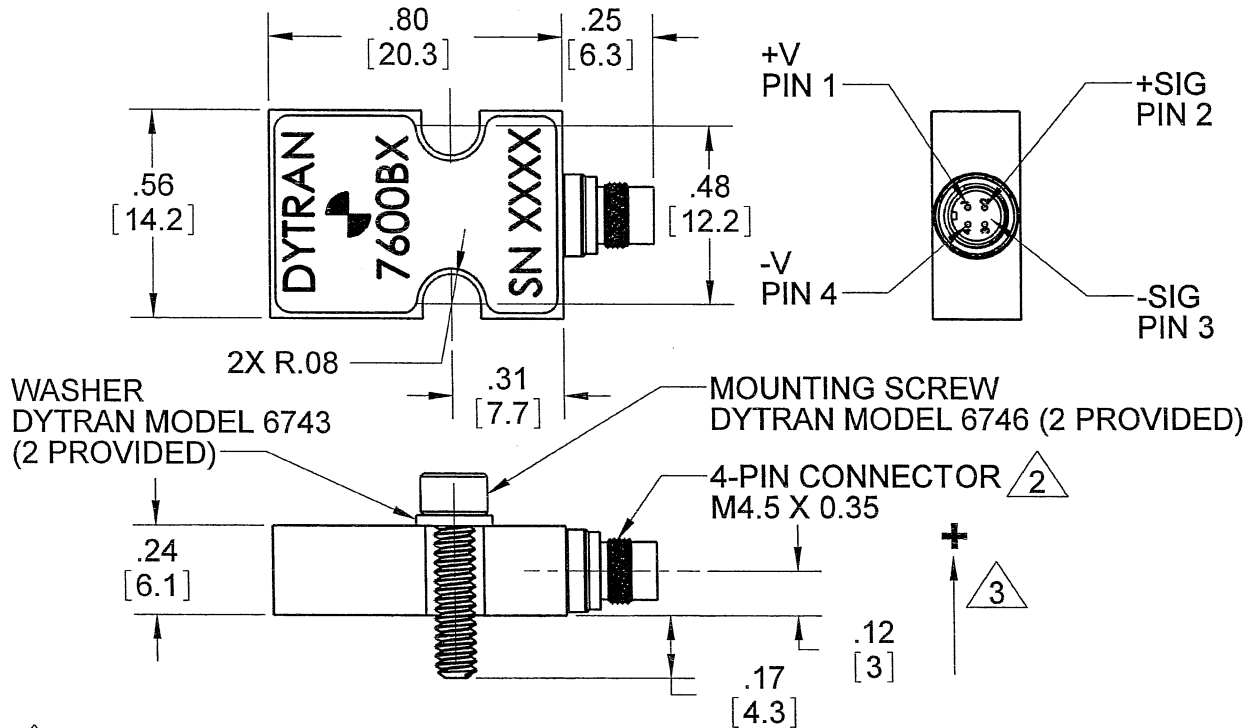


PROPRIETARY AND CONFIDENTIAL

THE INFORMATION CONTAINED IN THIS DRAWING IS THE SOLE PROPERTY OF DYTRAN INSTRUMENTS INC. ANY REPRODUCTION IN PART OR AS A WHOLE WITHOUT THE WRITTEN PERMISSION OF DYTRAN INSTRUMENTS INC. IS PROHIBITED

REVISIONS

REV	ECN	DESCRIPTION	BY/DATE	CHK	APPR
A	6307	INITIAL RELEASE	RA, 06/28/10	SY	JU



- 3** ARROW INDICATES DIRECTION OF ACCELERATION FOR POSITIVE OUTPUT.
- 2** MATES WITH 6895AXX (XX= LENGTH IN FEET)
- 1** MARKING DENOTES LOCATION OF SENSING ELEMENT.

MODEL	RANGE
7600B1	±5G
7600B2	±10G
7600B3	±25G
7600B4	±50G
7600B5	±100G
7600B6	±200G

NOTES: UNLESS OTHERWISE SPECIFIED

7600BX	USED ON	NEXT ASSY
APPLICATION		
THIRD ANGLE PROJECTION USA		

UNLESS OTHERWISE SPECIFIED:
 INTERPRET DIM & TOL PER ASME Y14.5M - 1994.
 REMOVE BURRS.
 COUNTERSINK INTERNAL THDS 90° TO MAJOR DIA.
 CHAM EXT THDS 45° TO MINOR DIA.
 THD LENGTHS AND DEPTHS ARE FOR MIN FULL THDS.
 THDS PER MIL-S-7742.
 DIMENSIONS APPLY AFTER FINISHING.

ALL MACHINED SURFACES. TOTAL RUNOUT WITHIN .005.
 BREAK SHARP EDGES .005 TO .010.
 MACHINED FILLET RADII .005 TO .015.
 WELDING SYMBOLS PER AWS A2.4.
 ABBREVIATIONS PER MIL-STD-12.

UNLESS OTHERWISE SPECIFIED:
 DIMENSIONS ARE IN INCHES. DIMENSIONS IN BRACKETS [] ARE IN MILLIMETERS
 TOLERANCES ARE:
 INCHES METRIC ANGLES
 .XX ± .03 .X ± 0.8 ± 1°
 .XXX ± .010 .XX ± 0.25

MATERIAL

FINISH

DO NOT SCALE DRAWING

CONTRACT NO.	
APPROVALS	DATE
ORIG	RA 10/07/09
CHK	SY 6/28/10
APP	JU 7/16/10
APP	

DYTRAN INSTRUMENTS, INC. **MASTER ONLY IF IN REC**

TITLE: **OUTLINE/INSTALLATION DRAWING, 7600B SERIES**

SIZE	CAGE CODE	DWG. NO.	REV
A	2W033	127-7600B	A

SCALE: 2:1 SOLIDWORKS SHEET 1 OF 1

Model Number
7600B1

PERFORMANCE SPECIFICATION

DOC NO
PS7600B1

VARIABLE CAPACITANCE ACCELEROMETER

REV A, ECN 6307_06/24/10



- POWER SUPPLY IDENTICAL TO STRAIN GAGE SENSORS
- VARIABLE CAPACITANCE ACCELEROMETER
- DIFFERENTIAL MODE
- HERMETICALLY SEALED
- DC RESPONSE

PHYSICAL

Weight, Max
Size Length x Width x Height
Connector Type
Mounting
Material

ENGLISH		SI	
0.1	oz	3.6	grams
.80 x .56 x .23	Inches	20.3 x 14.2 x 5.8	mm
4-PIN, M4.5 x 0.35 THD		4-PIN, M4.5 x 0.35 THD	
4-40 X 7/16 LG SHCS		4-40 X 7/16 LG SHCS	
Ti-6Al-4V		Ti-6Al-4V	

PERFORMANCE

Input Range
Frequency Response (-3dB), Nom
Sensitivity Differential, ±5% [1]
Output Noise, Differential, Typ
Non-Linearity, Max [2]
Sensitivity Change with Excitation Voltage (6-22 Volts)
Cross Axis Sensitivity

±5	g	±49	m/s ²
0-600	Hz	0-600	Hz
100	mV/g	10.2	mV/m/s ²
9	μg rms/v Hz	88	μm/s ² /v Hz
0.5	% F.S	0.5	% F.S
0.3	%	0.3	%
< 3	%	< 3	%

ENVIRONMENTAL

Maximum Mechanical Shock (0.1 ms)
Bias Temperature Shift, Max [3]
Sensitivity Temperature Shift
Operating Temperature Range
Seal

2000	gpk	±19620	m/s ² peak
111	(ppm of span)/°F	200	(ppm of span)/°C
277	ppm/°F	500	ppm/°C
-40 to +176	°F	-40 to +80	°C
Hermetic		Hermetic	

ELECTRICAL

Output Common Mode Voltage ± VDC
Output Impedance, Nom
Operating Voltage
Operating Current, Max
Change in Operating Current to Excitation Voltage

[4]		[4]	
1225	Ω	1225	Ω
±3 to ±11	VDC	±3 to ±11	VDC
13	mA Dc	13	mA Dc
0.25	mA/V	0.25	mA/V

This family also includes:

Model	Input Range (g)	Frequency response (Hz)	Sensitivity Differential, ±15% (mV/g)	Max.Shock (0.1ms)	Noise Differential (μg/√Hz)
7600B2	±10	0-1000	50	2000	10
7600B3	±25	0-1500	20	2000	25
7600B4	±50	0-2000	10	2000	50
7600B5	±100	0-2500	5	2000	100
7600B6	±200	0-3000	2.5	2000	200

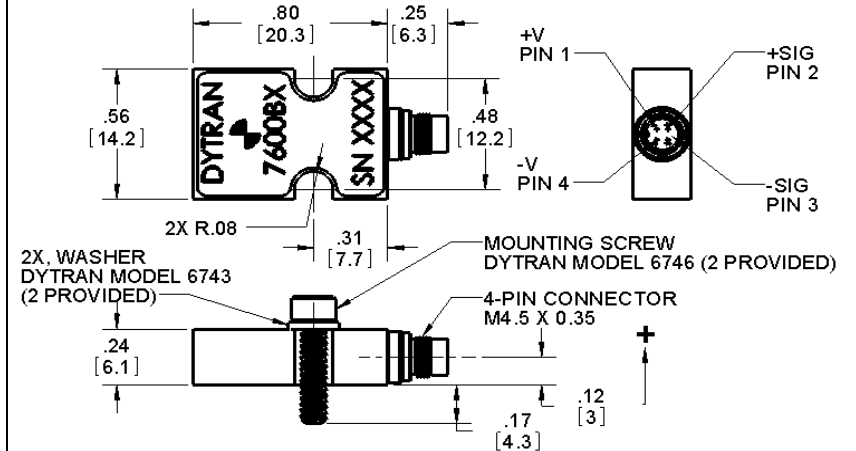
Please, refer to the performance specifications of the products in this family for detailed description

Supplied Accessories:

- 1) Accredited calibration certificate (ISO 17025)
- 2) Two mounting screws model # 6746
- 3) Two mounting washers model # 6743

Notes:

- [1] Single ended sensitivity is half of values shown
- [2] -90% to +90% of Full Scale
- [3] Over the rated temperature range
- [4] Bias voltage equal to (+ v - (-v)) / 2
- [5] Mating cable 6895A
- [6] In the interest of constant product improvement, we reserve the right to change specifications without notice.



Units on the line drawing are in inches. Refer to 127-7600B for more information.



21592 Marilla Street, Chatsworth, California 91311 Phone: 818.700.7818 Fax: 818.700.7880 www.dytran.com
For permission to reprint this content, please contact info@dytran.com