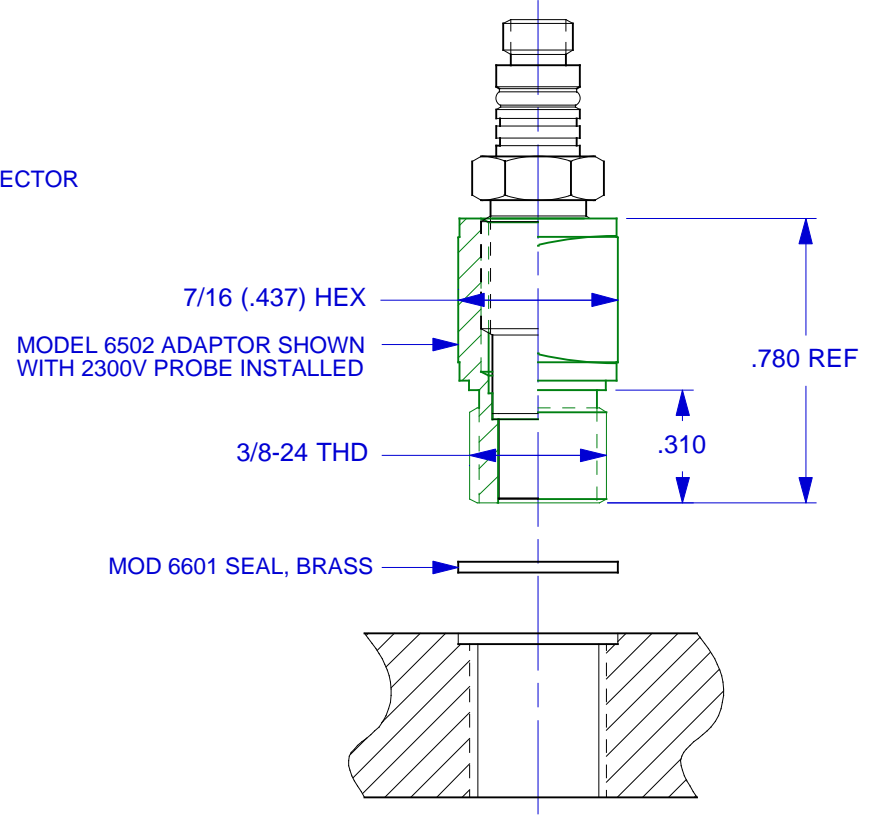


- PORT PREPARATION INSTRUCTIONS, 2300V**
1. DRILL AND REAM  $\varnothing .221 +.001/- .000$  THRU
  2. C'BORE (OR END CUTTING REAM)  $1/4 (\varnothing .250)$  X  $.560$  DEEP
  3. C"DRILL  $\varnothing .272 +.003/- .001$  X  $.500$  DEEP
  4. BOTTOM TAP  $5/16-24$  UNF-2B X  $.440$  MIN DEPTH

1. MOUNTING TORQUE FOR 2300V PROBE: 30 LB-INCHES.
2. MOUNTING TORQUE FOR 6502 ADAPTOR: 50-60 LB-INCHES.



MODEL 6502 ADAPTOR SHOWN WITH 2300V PROBE INSTALLED

- PORT PREPARATION INSTRUCTIONS, 6502**
1. DRILL Q ( $\varnothing .332$ ) THRU (OR  $.450$  MIN DEPTH)
  2. TAP  $3/8-24$  UNF-2B X  $.350$  MIN DEPTH
  3. C'BORE  $\varnothing .437 +.003/- .000$  X  $.030$  DEEP

<b>DIYTRAN</b> INSTRUMENTS, INC.		CHATSORTH, CA.			
SCALE	2X	REV	-	DATE	-
DATE	8/12/96	ECN	-	PART NO.	
DRAWN	N.C.	CHECKED	D.Z.	MAT'L	
APPROVED		NEXT ASSEMBLY		USED ON	
TITLE				DWG NO.	
OUTLINE/INSTALLATION DRAWING, MODEL 2300V				127-2300V	
SHEET 1 OF 1					

**SPECIFICATIONS, MODEL SERIES 2300V and 2301V  
HIGH FREQUENCY PROBE TYPE PRESSURE SENSORS**

<b>COMMON SPECIFICATIONS</b>	<b>VALUE</b>	<b>UNITS</b>
RESONANT FREQUENCY, NOM.	500	KHz
ACCELERATION SENSITIVITY	.001	PSI/G
LINEARITY	+/- 1	%
TEMPERATURE RANGE [1]	-100 to +250	°F
COEFFICIENT OF THERMAL SENSITIVITY	.03	%/°F
OUTPUT IMPEDANCE, NOM	100	OHMS
BIAS VOLTAGE OF INTEGRAL AMPLIFIER, NOM.	+11	VOLTS
MAXIMUM SHOCK	10,000	G's
MAXIMUM VIBRATION	+/- 5000	G's
MAXIMUM PRESSURE (DIAPHRAGM BURST)	18,000	PSI
SUPPLY CURRENT RANGE	2 to 20	mA
COMPLIANCE (SUPPLY) VOLTAGE RANGE [2]	+18 to +30	VDC
MATERIAL, HOUSING/DIAPHRAGM	17-4ph /316L	ST. STEEL
MOUNTING 2300V SERIES	EXTERNAL 5-16/24 THREADS	
2301V SERIES	SEPARATE CLAMP NUT W/5/16-24 THREADS	
CONNECTOR	10-32	COAXIAL
ENVIRONMENTAL SEAL	WELDED, GLASS TO METAL	HERMETIC
WEIGHT	6	GRAMS

**SPECIFICATIONS FOR SPECIFIC MODELS**

MODEL	RANGE (PSI)	SENSITIVITY (mV/PSI)	MAX. PRESS (PSI) [3]	ELECT NOISE (Psi)	DISCHARGE TIME CONSTANT (SECONDS)	-3db LOW FREQ. (Hz)
2300V1 & 2301V1	250	20	5000	0.004	2.0	0.08
2300V3 & 2301V3	500	10	10,000	0.007	5.0	0.03
2300V4 & 2301V4	1000	5	10,000	0.014	10.0	0.02
2300V5 & 2301V5	5000	1	15,000	0.07	50.0	0.003
2300V6 & 2301V6	10,000	0.05	15,000	0.14	100.0	0.0016
2300V7 & 2301V7	15,000	0.033	18,000	0.02	5.0	0.03

**NOTES:**

- [1] Maximum flash temperature +3000°F, short duration
- [2] From current limiting power unit only. **Do not** power up without current limiting power unit.
- [3] Refers to maximum pressure before possibility of damage to internal electronics.